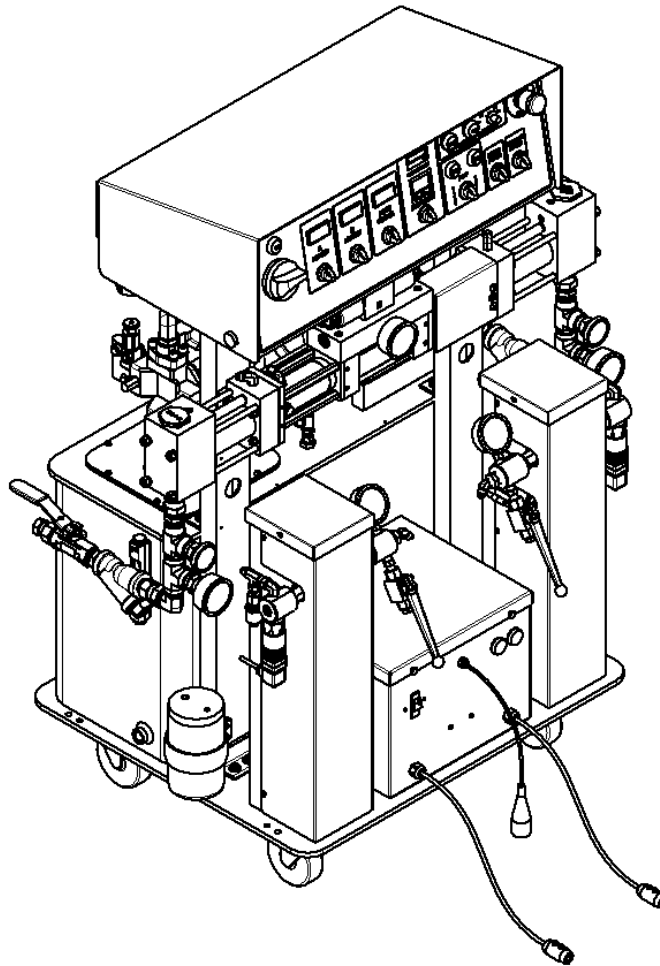




PH(X)-25 / PH(X)-40 Proportioner Service Manual

Ref. # MN-04014
Revision 4.9



FOR PROFESSIONAL USE ONLY
Not approved for use in European explosive atmosphere locations



1 Komo Dr.
Lakewood, NJ 08701
Phone: 732-415-4400
URL: <http://www.polymacusa.com>

Table of Contents

| | | |
|-----------|---|-----------|
| 1 | WARRANTY | 4 |
| 2 | SAFETY AND HANDLING | 6 |
| 3 | CHARACTERISTICS | 8 |
| 3.1 | PRINCIPAL HEATING SYSTEM | 8 |
| 3.2 | HOSE HEATING SYSTEM | 8 |
| 3.3 | DOUBLE ACTING OPPOSED PISTON METERING PUMPS | 9 |
| 3.4 | PRESSURE BALANCE CONTROL SYSTEM | 9 |
| 4 | TECHNICAL SPECIFICATIONS | 10 |
| 4.1 | PH(X)-25 ELECTRICAL | 10 |
| 4.2 | PH(X)-40 ELECTRICAL | 11 |
| 4.3 | PH(X)-25 MECHANICAL | 12 |
| 4.4 | PH(X)-40 MECHANICAL | 12 |
| 5 | DESCRIPTION | 14 |
| 6 | INSTALLATION | 18 |
| 6.1 | HEATED HOSE INSTALLATION | 20 |
| 6.2 | HOSE HEAT TRANSFORMER | 23 |
| 7 | PROPORTIONER PURGING | 24 |
| 8 | PRESSURE BALANCE CONTROL | 26 |
| 8.1 | OPERATION | 26 |
| 9 | DIGITAL TEMPERATURE CONTROLLER | 27 |
| 10 | START-UP | 29 |
| 11 | SHUT-DOWN | 32 |
| 11.1 | SHORT-TERM | 32 |
| 11.2 | LONG-TERM | 32 |
| 12 | TROUBLESHOOTING | 33 |
| 12.1 | HEATERS | 34 |
| 12.2 | HYDRAULIC DRIVE SYSTEM | 38 |
| 12.3 | METERING PUMP-LINE | 40 |
| 12.4 | HOSE HEATING | 44 |
| 12.5 | PRESSURE BALANCE CONTROL | 47 |
| 13 | MAINTENANCE | 48 |
| 13.1 | INLET MATERIAL SCREENS | 49 |
| 13.2 | ISO LUBRICATION SYSTEM | 50 |

| | | |
|-----------|--|-----------|
| 13.3 | HYDRAULIC DRIVE SYSTEM | 51 |
| 13.4 | METERING PUMP-LINE | 52 |
| 13.5 | PUMP BASE SERVICE | 52 |
| 13.6 | PUMP SEAL REPLACEMENT | 53 |
| 13.7 | METERING PUMP REMOVAL | 53 |
| 13.8 | MATERIAL HEATER | 54 |
| 13.8.1 | THERMOCOUPLE REPLACEMENT | 54 |
| 14 | HYDRAULIC OIL SPECIFICATIONS | 56 |
| 14.1 | MANUFACTURERS | 56 |
| 15 | PARTS IDENTIFICATION | 57 |
| 15.1 | HYDRAULIC SEAL ASSEMBLY | 57 |
| 15.2 | HYDRAULIC PISTON ASSEMBLY | 58 |
| 15.3 | HYDRAULIC CYLINDER ASSEMBLY | 59 |
| 15.4 | COMPLETE HYDRAULIC CYLINDER ASSEMBLY | 60 |
| 15.4.1 | HYDRAULIC CYLINDER REBUILD KIT | 61 |
| 15.5 | "R" PUMP ASSEMBLY | 62 |
| 15.5.1 | "R" PUMP REBUILD KITS | 65 |
| 15.6 | "A" PUMP ASSEMBLY | 67 |
| 15.6.1 | "A" PUMP REBUILD KITS | 70 |
| 15.7 | PUMP-LINE ASSEMBLY | 74 |
| 15.7.1 | PUMP BASE REPAIR KIT | 75 |
| 15.8 | INLET MONITORING ASSEMBLY | 76 |
| 15.9 | Y-STRAINER ASSEMBLY "A" SIDE | 77 |
| 15.10 | Y-STRAINER ASSEMBLY "R" SIDE | 78 |
| 15.11 | HEATER ASSEMBLY | 79 |
| 15.11.1 | HEATER THERMOCOUPLE KIT | 85 |
| 15.12 | PRESSURE TRANSDUCER ASSEMBLY | 85 |
| 15.13 | BLEED VALVE KIT | 86 |
| 15.14 | MOTOR-LINE ASSEMBLY | 87 |
| 15.15 | TRANSFORMER COVER ASSEMBLY | 89 |
| 15.16 | FRAME ASSEMBLY | 91 |
| 15.17 | FINAL ASSEMBLY | 93 |
| 15.18 | PH(X)-25/PH(X)-40 HOSES | 96 |
| 15.18.1 | HALF INCH HOSE KIT | 96 |
| 15.19 | LUBE BOTTLE COMPONENTS | 97 |

List of Figures

| | | |
|----|--|----|
| 1 | Pressure Balance Control Logic Diagram | 9 |
| 2 | Proportioner Dimensions | 13 |
| 3 | Component Identification - Front | 14 |
| 4 | Component Identification - Back | 15 |
| 5 | Front Panel Description | 16 |
| 6 | Electrical Installation | 18 |
| 7 | Component Identification - Misc | 19 |
| 8 | Temperature Sensing Unit | 21 |
| 9 | Transformers | 23 |
| 10 | Metering Pump-Line (PL-1A/PL-2) | 40 |
| 11 | Hydraulic Seal Assembly | 57 |
| 12 | Hydraulic Piston Assembly | 58 |
| 13 | Hydraulic Cylinder Assembly (HI-05025A) | 59 |
| 14 | Complete Hydraulic Cylinder Assembly (HI-01) | 60 |
| 15 | "R" Pump Assembly (PU-05002-XXX) | 62 |
| 16 | "A" Pump Assembly (PU-05001-XXX) | 67 |
| 17 | Pump-Line Assembly (PL-1A/PL-2) | 74 |
| 18 | Inlet Monitoring Assembly (KT-05005) | 76 |
| 19 | Y-Strainer Assembly "A" Side (YS-1) | 77 |
| 20 | Y-Strainer Assembly "R" Side (YS-2) | 78 |
| 21 | Heater Assembly, 4 Rod | 79 |
| 22 | Heater Assembly, 6 Rod | 81 |
| 23 | Heater Assembly, 4 Rod, "A" Side / "R" Side | 83 |
| 24 | Heater Assembly, 6 Rod, "A" Side / "R" Side | 84 |
| 25 | Pressure Transducer Assembly (EL-200) | 85 |
| 26 | Bleed Valve Kit (202455) | 86 |
| 27 | Motor-Line Assembly (ML-1/ML-2/ML-3/ML-4) | 87 |
| 28 | Motor Comparison | 88 |
| 29 | Transformer Cover Assembly | 89 |
| 30 | Frame Assembly (FR-1) | 91 |
| 31 | PH(X)-25/PH(X)-40 Final Assembly | 93 |
| 32 | Proportioner Hoses | 96 |
| 33 | Lube Bottle Assembly | 97 |

1 WARRANTY

Polyurethane Machinery Corporation (hereinafter “PMC”) provides this **LIMITED WARRANTY** (hereinafter “Warranty”) to the original purchaser (hereinafter “Customer”) covering this equipment and the original PMC manufactured accessories delivered with the equipment (hereinafter “Product”) against defects in material or workmanship of the Product (hereinafter “Defect” or “Defective”) for a period of one (1) year from the date of first purchase as shown on the original PMC invoice (hereinafter “Warranty Period”)

If during the Warranty Period under normal use, the Product is suspected by Customer to be Defective in material or workmanship, it is Customer’s responsibility to contact PMC and return the Product to PMC as directed by PMC, freight prepaid. If PMC determines that the Product is Defective and that such Defect is covered by this Warranty, PMC will credit Customer for the reasonable freight charges incurred by Customer in returning the Defective Product to PMC, and PMC (or its authorized agent) will, at PMC’s option, repair or replace the Product, subject to the following:

1. Original Invoice: The original invoice must be kept as proof of the date of first sale and the Product serial number. The Warranty does not cover any Product if the Original Invoice appears to have been modified or altered, or when the serial number on the Product appears to have been altered or defaced.
2. Product Maintenance: It is the Customer’s responsibility to maintain the Product properly. See your maintenance schedule and owner’s manual for details. The Warranty does not cover an improperly maintained Product.
3. Non-PMC Components and Accessories: Non-PMC manufactured components and accessories that are used in the operation of the Product are not covered by this Warranty. Such components and accessories shall be subject to the warranty offered to the Customer, if any, by the original manufacturer of such component or accessory.
4. Other Warranty Exclusions: The Warranty does not cover any Product that PMC determines has been damaged or fails to operate properly due to misuse, negligence, abuse, carelessness, neglect, or accident. By way of example only, this includes:
 - Normal wear and tear.
 - Improper or unauthorized installation, repair, alteration, adjustment or modification of the product.
 - Use of heating devices, pumping equipment, dispensers, or other parts or accessories with the product that have not been approved or manufactured by PMC.
 - Failure to follow the operating instructions and recommendations provided by PMC.
 - Cosmetic damage.
 - Fire, flood, “acts of God,” or other contingencies beyond the control of PMC.

THE WARRANTY DESCRIBED HEREIN IS THE EXCLUSIVE REMEDY FOR THE CUSTOMER AND IS IN LIEU OF ALL OTHER WARRANTIES, EXPRESS, IMPLIED, STATUTORY OR OTHERWISE, AND THE IMPLIED WARRANTIES OF MERCHANTABILITY AND FITNESS FOR A PARTICULAR PURPOSE AND ALL OTHER WARRANTIES ARE HEREBY DISCLAIMED. TO THE FULLEST EXTENT PERMITTED BY LAW, PMC SHALL NOT BE RESPONSIBLE, WHETHER BASED IN CONTRACT, TORT (INCLUDING, WITHOUT LIMITATION, NEGLIGENCE), WARRANTY OR ANY OTHER LEGAL OR EQUITABLE GROUNDS, FOR ANY CONSEQUENTIAL, INDIRECT, INCIDENTAL, LOST PROFITS, SPECIAL, PUNITIVE OR EXEMPLARY DAMAGES, WHETHER TO PERSON OR PROPERTY, ARISING FROM OR RELATING TO THE PRODUCT, EVEN IF PMC HAS BEEN ADVISED OF THE POSSIBILITY OF SUCH LOSSES OR DAMAGES.

- Non-Warranty Service by PMC: If PMC determines that the suspected Defect of the Product is not covered by this Warranty, disposition of the Product will be made pursuant to the terms and conditions of PMC's written estimate on a time and materials basis.
- Continuing Warranty for Products Repaired or Replaced under Warranty: Following the repair or replacement of a Product covered by this Warranty, such Product will continue to be subject to the original Warranty for the remainder of original Warranty Period or for three (3) months from the repair or replacement date, whichever is longer.
- No Rights Implied: Nothing in the sale, lease or rental of any Product by PMC shall be construed to grant any right, interest or license in or under any patent, trademark, copyright, trade secret or other proprietary right or material owned by anyone; nor does PMC encourage the infringement of same.
- Exclusive Warranty: This writing is the final, complete, and exclusive expression of the Warranty covering the Product. Any statements made by PMC, its employees or agents that differ from the terms of this Warranty shall have no effect. It is expressly understood that Customer's acceptance of this Warranty, by performance or otherwise, is upon and subject solely to the terms and conditions hereof, and any additional or different terms and conditions proposed or expressed by Customer or anyone, whether in writing or otherwise, are null and void unless specifically agreed to in writing by an Officer of PMC.

2 SAFETY AND HANDLING

This chapter contains important information on the safety, handling, and use of your PH Series Proportioner.



Before installing the PH Series Proportioner and start-up, carefully read all the technical and safety documentation included in this manual. Pay special attention to the information in order to know and understand the operation and the conditions of use of the PH Series Proportioner. All of the information is aimed at improving user safety and avoiding possible breakdowns from the incorrect use of the PH Series Proportioner.

WARNING! Symbol is presented in front of information to alert of a situation that might cause serious injuries if the instructions are not followed.

CAUTION! Symbol is presented in front of information that indicates how to avoid damage to the proportioner or how to avoid a situation that could cause issues.

NOTE! Symbol is presented in front of relevant information of a procedure being carried out.

Careful study of this manual will enable the operator to know the characteristics of the PH Series Proportioner and the operating procedures. By following the instructions and recommendations contained herein, you will reduce the potential risk of accidents in the installation, use, and maintenance of the PH Series Proportioner. You will provide a better opportunity for greater output, incident-free operation for a longer time, and the possibility of detecting and resolving problems quickly and simply.






Keep this Operations Manual for future consultation of useful information at all times. If you lose this manual, ask for a new copy from your PMC Service Center or go on line at our web site (www.polymacusa.com).

The PH Series Proportioner has been designed and built for the application of polyurea chemical systems, polyurethane foam chemical systems, and some two-component epoxy systems

WARNING! The design and configuration of the PH Series Proportioner does not allow its use in potentially explosive atmospheres or the pressure and temperature limits described in the technical specifications of this manual to be exceeded.

Always use liquids and solvents that are compatible with the unit. If in doubt, consult your authorized PMC distributor.

When working with the PH Series Proportioner, it is recommended that the operator wear suitable clothing and elements of personal protection, including, without limitation, gloves, protective goggles, safety footwear and face masks. Use breathing equipment when working with the PH Series Proportioner in enclosed spaces or in areas with insufficient ventilation. The introduction and follow-up of safety measures must not be limited to those described in this manual. Before starting up the PH Series Proportioner, a comprehensive analysis must be made of the risks derived from the products to be dispensed, the type of application, and the working environment.

| | |
|---|---|
|  | <p><i>To prevent possible injury caused by incorrect handling of the raw materials and solvents used in the process, carefully read the Material Safety Data Sheet (SDS) provided by your supplier. Deal with the waste caused according to current regulations.</i></p> |
|  | <p><i>To avoid damage caused by the impact of pressurized fluids, do not open any connection or perform maintenance work on components subject to pressure until the pressure has been completely eliminated.</i></p> |
|  | <p><i>Use suitable protection when operating, maintaining or being present in the area where the equipment is functioning. This includes, but is not limited to, the use of protective goggles, gloves, shoes and safety clothing and breathing equipment.</i></p> |
|  | <p><i>The equipment includes components that reach high temperatures and can cause burns. Hot parts of the equipment must not be handled or touched until they have cooled completely.</i></p> |
|  | <p><i>To prevent serious injury through crushing or amputation, do not work with the equipment without the safety guards installed on the moving parts. Make sure that all the safety guards are correctly reinstalled at the end of the repair or maintenance work of the equipment.</i></p> |

3 CHARACTERISTICS

The PH Series Proportioner has been designed and built for the application of polyurea chemical systems, polyurethane foam chemical systems, and some specific two-component epoxy systems.

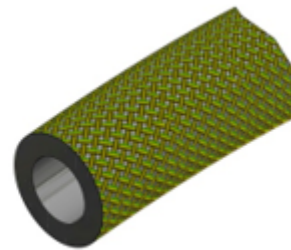
3.1 PRINCIPAL HEATING SYSTEM

The Proportioner consist of two (2) independent Material Heaters without internal seals. Each heater for the PH(X)-40 Proportioner has six (6) Heating Elements rated at 1,250 1,500 or 1,750 watts each, giving the Proportioner a total heat of 15,000, 18,000 or 21,000 watts. The Material Heater systems for all PH Series Proportioners contain the necessary control and safety components for their precise operation. The Material Heater design allows a temperature differential (*DeltaT*) of 90°F (32°C) and material application temperatures of up to 190°F (88°C) under normal ambient temperatures.

3.2 HOSE HEATING SYSTEM

The PH(X)-40 Proportioner is designed with a 5 kVA (120 V) Isolation Transformer that enables effective heating of up to a total hose length of 410 feet (123 meters). Both systems include an innovative hose heating concept in which the continuous braid tinned-copper jacket is distributed evenly around the circumference of the hose providing a uniform heating watt density and precise control of the material application temperature. This hose heating element design is extremely resistant to fatigue failure.

100% circumferential coverage produces the most
uniform distribution of heat available.



3.3 DOUBLE ACTING OPPOSED PISTON METERING PUMPS

The opposed double acting Pump Line is driven by a dual rod Hydraulic Cylinder. The in-line pump system with opposed piston pumps provides a constant volume and guarantees uniform pressures in both directions of pump movement. Different sized pumps allow for various volumetric ratios to be achieved (1:4 to 1:1 to 4:1) between the chemical components used in the process.

3.4 PRESSURE BALANCE CONTROL SYSTEM

The Pressure Balance Control (PBC) system performs an automatic shutdown when a chemical imbalance occurs. When the system is turned off, the Proportioner will perform as if there is no PBC system and will continue pumping material. When the system is turned on, it will continually monitor the pressure between the two chemicals (known as the **pressure differential**). If the pressure differential becomes equal to or greater than the **maximum allowable pressure differential**, the pumps will be shut off.

The Pressure Balance Control system can be simplified into a logic box diagram with inputs and outputs. There are five inputs: the power supply from the main console, the pressure readings from each chemical, the maximum pressure, and the maximum allowable pressure differential. Inside the logic box, the actual pressure differential of the chemicals is compared to the maximum allowable pressure differential. Depending on the circumstances of all five inputs, there are only two possible outputs: either the pumps will continue to pressurize and move material, or the pumps will shut off and flow will be lost.

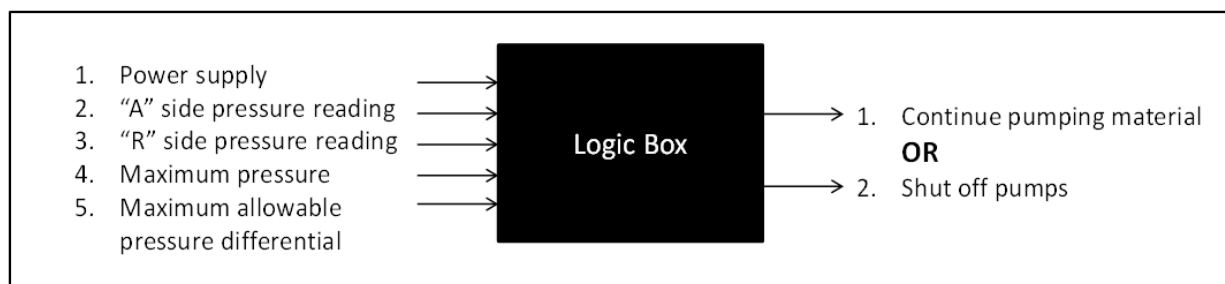


Figure 1: Pressure Balance Control Logic Diagram

4 TECHNICAL SPECIFICATIONS

4.1 PH(X)-25 ELECTRICAL

PH(X)-25, Single Phase, 208-240V

| Pressure | Heater Size | Electrical Consumption |
|---------------------------------------|--------------------|------------------------|
| 2,000PSI (PH-25) 3,000PSI (PHX-25) | 8.0kW(4.0kW/side) | 71A |
| | 10.0kW(5.0kW/side) | 79A |
| | 12.0kW(6.0kW/side) | 88A |
| | 14.0kW(7.0kW/side) | 97A |

PH(X)-25, Three Phase, 208-240V

| Pressure | Heater Size | Electrical Consumption |
|---------------------------------------|--------------------|------------------------|
| 2,000PSI (PH-25) 3,000PSI (PHX-25) | 8.0kW(4.0kW/side) | 43A |
| | 10.0kW(5.0kW/side) | 48A |
| | 12.0kW(6.0kW/side) | 53A |
| | 14.0kW(7.0kW/side) | 58A |

PH(X)-25, Three Phase, 400V

| Pressure | Heater Size | Electrical Consumption |
|---------------------------------------|--------------------|------------------------|
| 2,000PSI (PH-25) 3,000PSI (PHX-25) | 8.0kW(4.0kW/side) | 28A |
| | 10.0kW(5.0kW/side) | 31A |
| | 12.0kW(6.0kW/side) | 34A |
| | 14.0kW(7.0kW/side) | 37A |

| Material Heater Power | Power Consumption |
|---------------------------|-------------------|
| 4.0kW/side(2x2,000W/side) | 8.0kW |
| 5.0kW/side(2x2,500W/side) | 10.0kW |
| 6.0kW/side(2x3,000W/side) | 12.0kW |
| 7.0kW/side(2x3,500W/side) | 14.0kW |
| Hose Transformer | Power Consumption |
| 90V | 3kVA |
| 120V | 5kVA |
| Electrical Motor | Power Consumption |
| PH(X)-25 | 3hp |

CAUTION! Inside the console is a Terminal Strip for connecting the main power (wire not supplied) to the PH Series Proportioner. This electrical connection must be made only by a qualified electrician.

4.2 PH(X)-40 ELECTRICAL

PH(X)-40, Single Phase, 208-240V

| Pressure | Heater Size | Electrical Consumption |
|-------------------|---------------------|------------------------|
| 2,000PSI (PH-40) | 12.0kW(6.0kW/side) | 105A |
| | 15.0kW(7.5kW/side) | 118A |
| 3,000PSI (PHX-40) | 18.0kW(9.0kW/side) | 131A |
| | 21.0kW(10.5kW/side) | 144A |

PH(X)-40, Three Phase, 208-240V

| Pressure | Heater Size | Electrical Consumption |
|-------------------|---------------------|------------------------|
| 2,000PSI (PH-40) | 12.0kW(6.0kW/side) | 62A |
| | 15.0kW(7.5kW/side) | 70A |
| 3,000PSI (PHX-40) | 18.0kW(9.0kW/side) | 77A |
| | 21.0kW(10.5kW/side) | 85A |

PH(X)-40, Three Phase, 400V

| Pressure | Heater Size | Electrical Consumption |
|-------------------|---------------------|------------------------|
| 2,000PSI (PH-40) | 12.0kW(6.0kW/side) | 41A |
| | 15.0kW(7.5kW/side) | 46A |
| 3,000PSI (PHX-40) | 18.0kW(9.0kW/side) | 50A |
| | 21.0kW(10.5kW/side) | 55A |

| Material Heater Power | Power Consumption |
|----------------------------|-------------------|
| 6.0kW/side(3x2,000W/side) | 12.0kW |
| 7.5kW/side(3x2,500W/side) | 15.0kW |
| 9.0kW/side(3x3,000W/side) | 18.0kW |
| 10.5kW/side(3x3,500W/side) | 21.0kW |
| Hose Transformer | Power Consumption |
| 90V | 3kVA |
| 120V | 5kVA |
| Electrical Motor | Power Consumption |
| PH(X)-40 | 5hp |

CAUTION! Inside the console is a Terminal Strip for connecting the main power (wire not supplied) to the PH Series Proportioner. This electrical connection must be made only by a qualified electrician.

4.3 PH(X)-25 MECHANICAL

| | 120 Pumps | 80 Pumps |
|--|------------------------------------|--------------------------------|
| Maximum Working Pressure | 2,000PSI(14MPa, 138bar) | 3,000PSI(21MPa, 207bar) |
| Maximum Production | 25lb/min(12.5kg/min) @ 1,500psi | 1.4GPM(5.6L/min) @ 1,750psi |
| Minimum Production | 2.0lb/min(1kg/min) | |
| Gallons per Cycle (single pump) | 0.0314gal/cycle(0.1189L) | 0.0214gal/cycle(0.0810L) |
| Gallons per Cycle (both pumps) | 0.0628gal/cycle(0.2378L) | 0.0428gal/cycle(0.0162L) |
| Cycles per 50gal(190L) Drum | 1,592 cycles | 2,336 cycles |
| Maximum Hose Length | | |
| 3kVA Transformer | 310ft(93m) | |
| 5kVA Transformer | 410ft(125m) | |
| Approximate Weight | | |
| Hydraulic Tank Empty | 420lbs(190k) | |
| Hydraulic Tank Full (20gal) | 594lbs(269k) | |
| Overall Dimensions(W x D x H) | | |
| 40in x 29in x 52in (100cm x 73cm x133cm) | | |

4.4 PH(X)-40 MECHANICAL

| | 120 Pumps | 80 Pumps |
|--|----------------------------------|--------------------------------|
| Maximum Working Pressure | 2,000PSI(14MPa, 138bar) | 3,500PSI(24MPa, 241bar) |
| Maximum Production | 40lb/min(14kg/min) @ 1,000psi | 2.5GPM(1.0L/min) @ 2,500psi |
| Minimum Production | 2.0lb/min(1kg/min) | |
| Gallons per Cycle (single pump) | 0.0314gal/cycle(0.1189L) | 0.0214gal/cycle(0.0810L) |
| Gallons per Cycle (both pumps) | 0.0628gal/cycle(0.2378L) | 0.0428gal/cycle(0.0162L) |
| Cycles per 50gal(190L) Drum | 1,592cycles | 2,336 cycles |
| Maximum Hose Length | | |
| 3kVA Transformer | 310ft(93m) | |
| 5kVA Transformer | 410ft(125m) | |
| Approximate Weight | | |
| Hydraulic Tank Empty | 420lbs(190k) | |
| Hydraulic Tank Full (20gal) | 594lbs(269k) | |
| Overall Dimensions(W x D x H) | | |
| 40in x 29in x 52in (100cm x 73cm x133cm) | | |

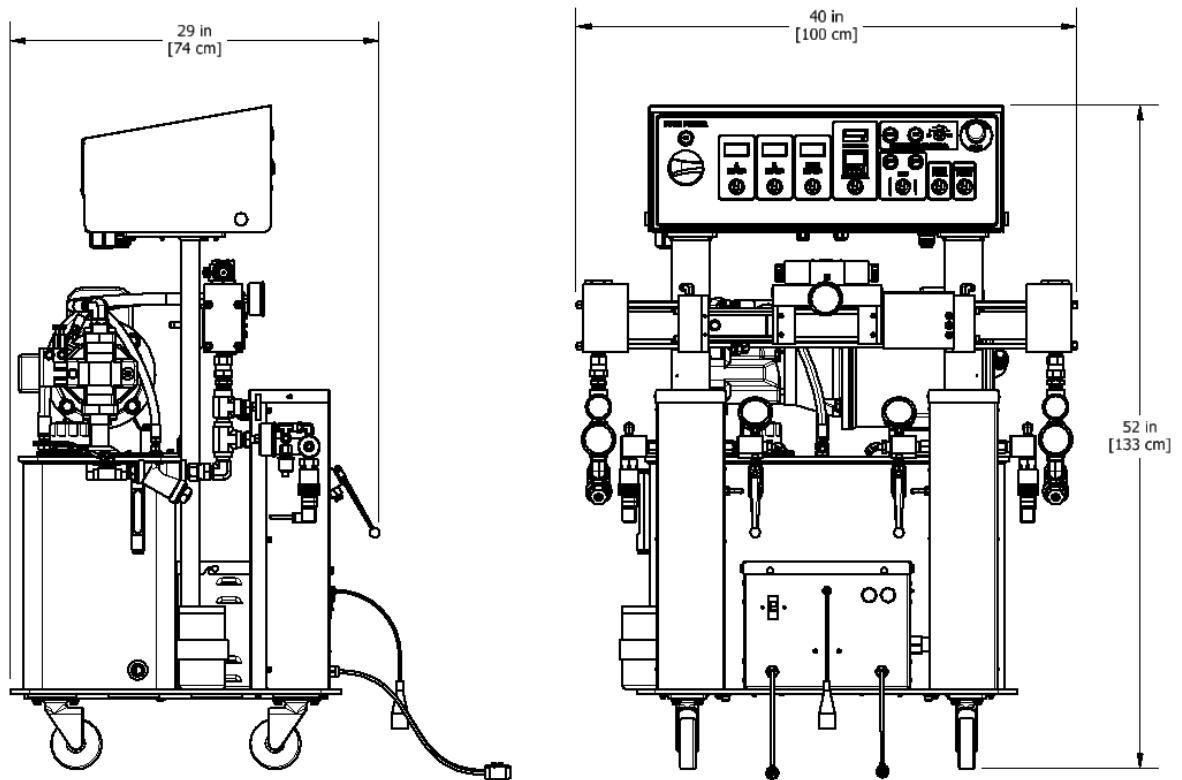


Figure 2: Proportioner Dimensions

5 DESCRIPTION

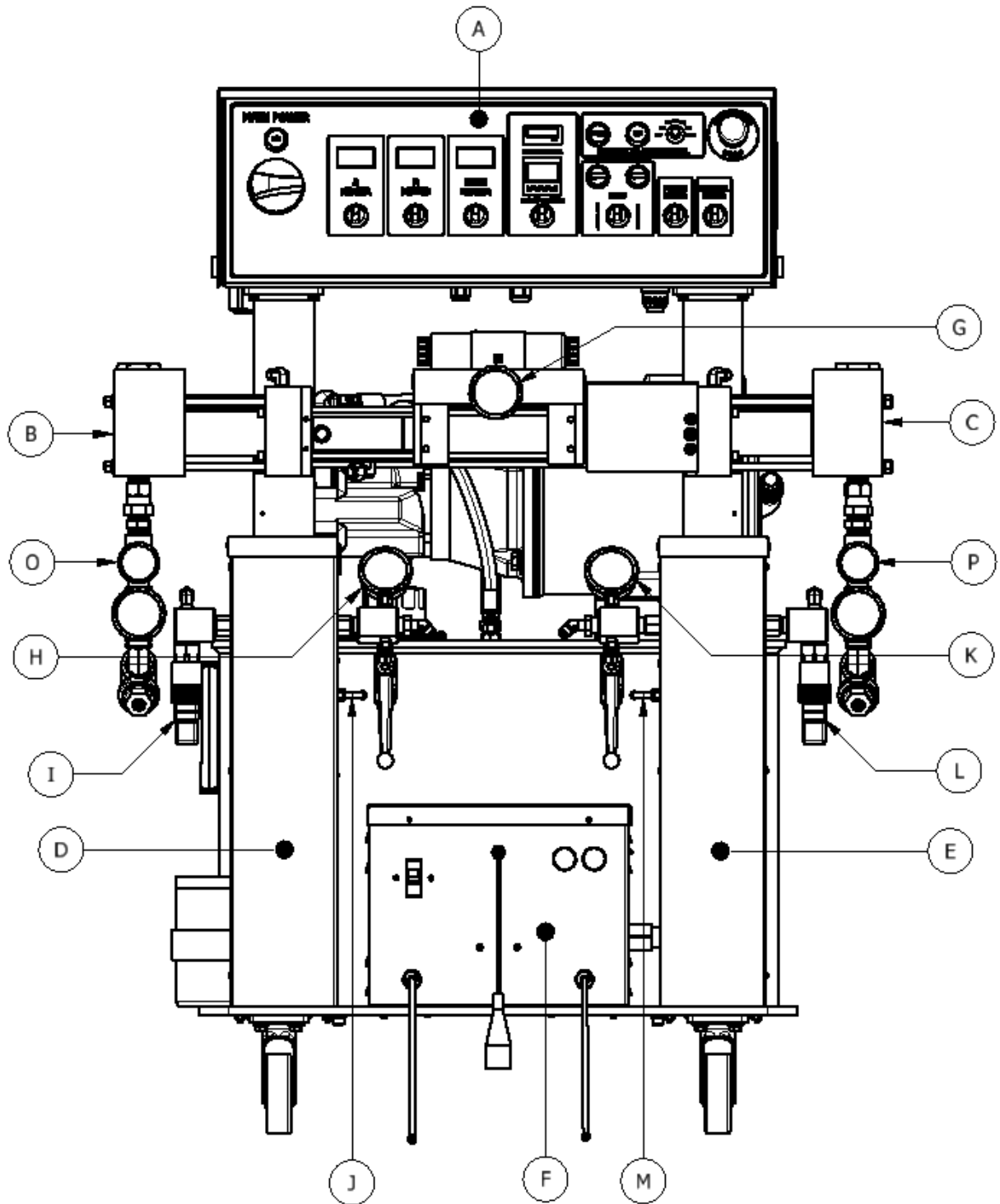


Figure 3: Component Identification - Front

- A. Control Panel** - Controls and regulates the operation of the PH Series Proportioner.
- B. Isocyanate (Iso, A) Metering Pump** - Meters the Isocyanate material.
- C. Polyol (Poly, R) Metering Pump** - Meters the Polyol material.
- D. Isocyanate (Iso, A) Heater** - Heats the incoming Isocyanate to a temperature set by the operator.
- E. Polyol (Poly, R) Heater** - Heats the incoming Polyol to a temperature set by the operator.
- F. Hose Heating Transformer** - Supplies the required voltage for material Heated Hoses.
- G. Hydraulic Pressure Gauge** - Indicates the pressure in the Hydraulic Drive System.
- H. Isocyanate (Iso, A) Pressure Gauge** - Indicates the pressure in the Isocyanate system.
- I. Isocyanate (Iso, A) Safety Pressure Switch** - Disables the pump circuit in the event of excessive pressure in the Isocyanate system.
- J. Isocyanate (Iso, A) Thermocouple** - Provides temperature reading of the Isocyanate chemical.
- K. Polyol (Poly, R) Pressure Gauge** - Indicates the pressure in the Polyol system.
- L. Polyol (Poly, R) Safety Pressure Switch** - Disables the pump circuit in the event of excessive pressure in the Polyol system.
- M. Polyol (Poly, R) Thermocouple** - Provides temperature reading of the Polyol chemical.
- N. Hydraulic Pressure Control** - Allows the pressure of the hydraulic system to be increased or decreased. Turn clockwise to increase the pressure and counterclockwise to decrease. To regulate the pressure of the hydraulic system, the NORMAL or RETRACT Pump Switch position must be selected.

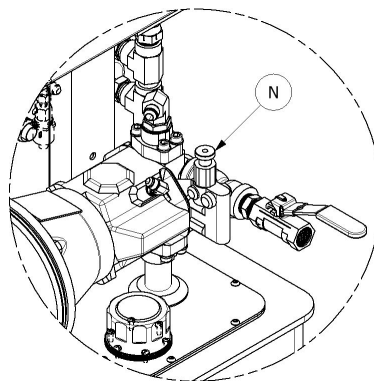


Figure 4: Component Identification - Back

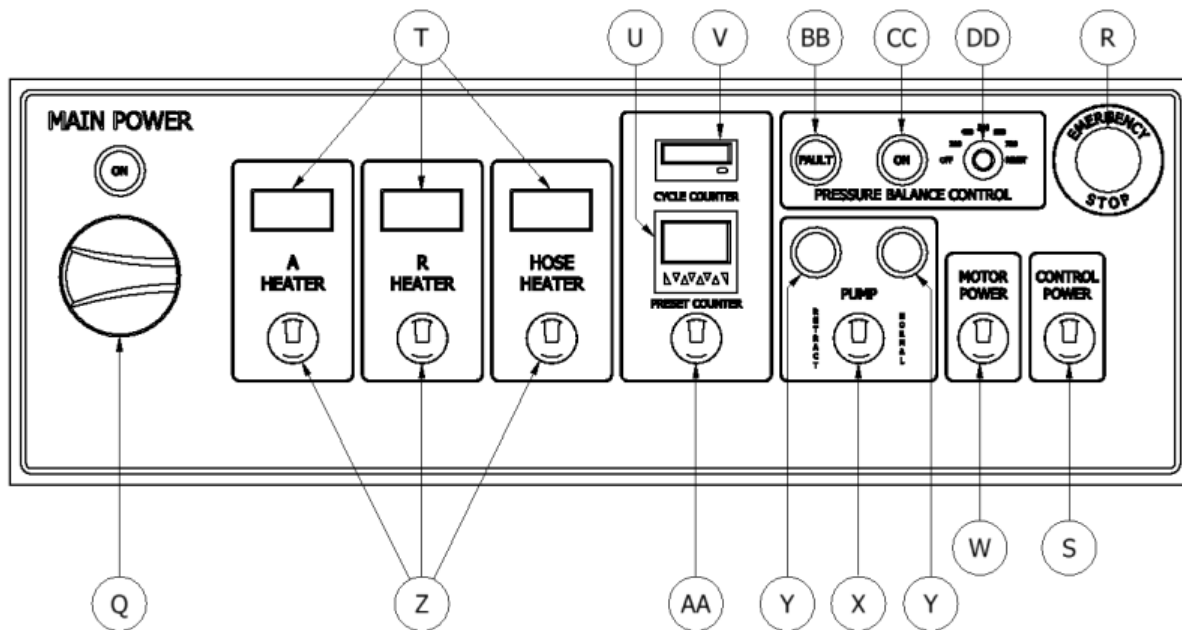


Figure 5: Front Panel Description

- Q. Isocyanate (Iso, A) Inlet Material Strainer** - Screens (60 mesh) material from bulk supply.
- P. Polyol (Poly, R) Inlet Material Strainer** - Screens (60 mesh) material from bulk supply.
- Q. Main Power** - Turns ON and OFF main power to the control panel. It must be turned ON for any operation to be performed with the unit. When turned ON, the red pilot will light.
- R. Emergency Stop** - Interrupts the PH Series control power circuit to stop all motion and heating.
- S. Control Power** - Turns ON and OFF the control power to the complete electrical circuit including Heaters and Hose Heaters.
- T. Heater Temperature Zones: A (Iso), R (Poly), HOSE** - Turns ON and OFF power to the specific Heaters. See page 27 for detailed Temperature Controller instructions. The Hose Heat Controller automatically controls the Hose Heater only when using the TSU (Temperature Sensing Unit) probe.
- U. Count Down Counter** - Used to set the amount of cycles required to prevent the chemical drums from running dry, the machine will shut down when the preset cycle expires. There is an ON/OFF switch to activate/deactivate this feature.

V. Cycle Counter - Indicates the number of pump cycles to calculate material usage.

W. Motor Switch - Turns On and OFF the Electric/Hydraulic Motor. When turned ON the switch will be lit. In the event of a motor overload, the pilot light will turn OFF and the motor will stop.

X. Pump Switch

OFF - Removes power from the pump circuit. The directional indicator lights will not be lit.

NORMAL - Activates the normal operation of the machine. When the switch is ON the directional light corresponding to the stroke direction will light.

RETRACT - Sets the Piston Rod of the A (Iso) metering pump to the retract position and prevents crystallization of A (Iso) on the Piston Rod. Turn the switch to the RETRACT position every time the unit is stopped by the operator. (see 11, page 32)

Y. Direction Indicator Light - Indicates the direction of movement of the Metering Pumps. If excessive pressure occurs in the system, the pump circuit will be disabled and the directional lights will turn OFF.

Z. Heater Temperature Switch: A (Iso), R (Poly), HOSE - Turns ON and OFF power to the respective specific Heaters.

AA. Auto Shut Down Switch - Turns ON and OFF power to the Auto Shut Down unit.

BB. Pressure Balance Control "FAULT" Light - Indicates the the pressure differential is equal to or greater than the maximum allowable.

CC. Pressure Balance Control "ON" Light - Indicates that the Pressure Balance Control system is on and functioning.

DD. Pressure Balance Control Knob - Used to set the maximum allowable pressure differential (PSI) between the A (Iso) and R (Poly) pumps. See page 26 for more information.

6 INSTALLATION

WARNING! Use suitable protection and follow the recommendations in the Safety Information enclosed and provided by material suppliers when installing or working with the Proportioner.

CAUTION! Make sure the power cable is disconnected from the main power source before connecting to the Terminal Strip in the Console.

NOTE! To ensure the PH Series Proportioner works correctly, the electrical supply must meet the specifications indicated on the Serial Number Placard affixed to the Electrical Console.

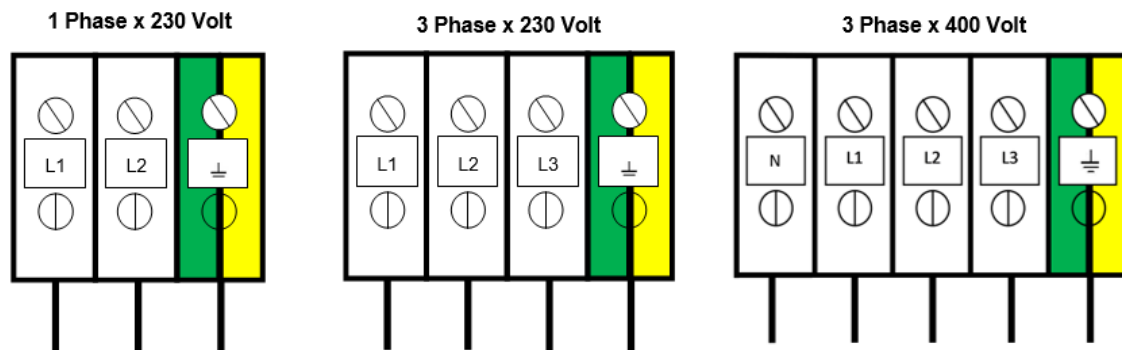


Figure 6: Electrical Installation

1. Insert the main power cable by passing it through the wire stop at the bottom of the electrical console and connect as shown in the diagram above.
2. Fill the Hydraulic Reservoir with 20 gallons (76 Liters) of approved hydraulic fluid. See page 56 for hydraulic oil specifications.

NOTE! Do not fill the tank to maximum capacity; use the Visual Level Indicator on the tank to make sure the amount of hydraulic fluid is not more than 20 gal (76 L) or 80% of the tanks maximum capacity.

3. To check the level of the hydraulic fluid in the Hydraulic Pump Case, disconnect the Hydraulic Hose from the 90 degree fitting and remove Fitting from Hydraulic Case. Add fluid as required. Reattach Fitting and Hydraulic Hose. Turn the hydraulic pressure control knob counter clockwise until it stops, that is the lowest hydraulic pressure setting.

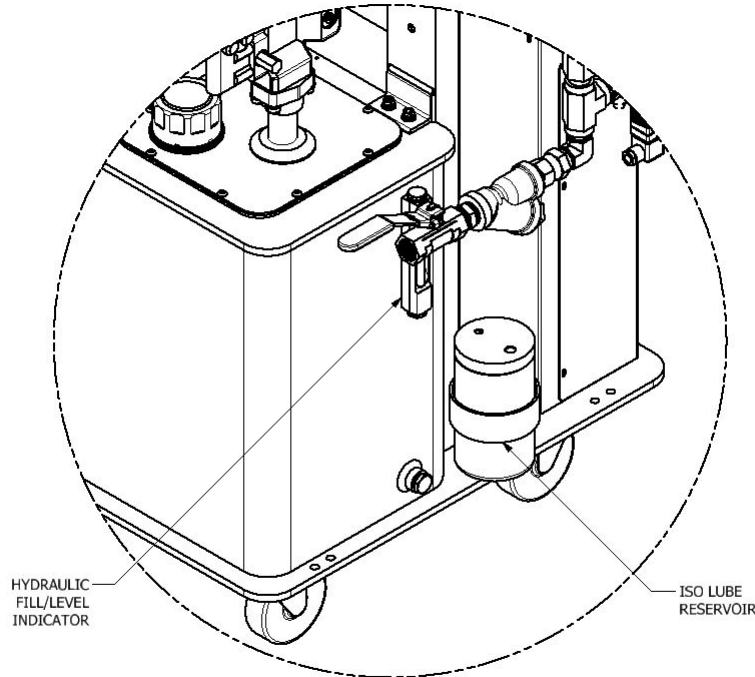


Figure 7: Component Identification - Misc

CAUTION! Ensure that the emergency stop is not engaged.

4. **Three Phase Proportioner Only:** Check the Electric Motor to ensure rotation is clockwise when viewing the end of the Electric Motor. A counter clockwise rotation indicates two of the incoming power leads need to be reversed.

CAUTION! Ensure Main Power Switch is OFF and incoming power is locked OFF before reversing power leads.

Recheck rotation before proceeding with Installation.

5. Fill the Lube Reservoir with PMC Pump Lube or suitable dilutents. It is not necessary to prime the system.

6.1 HEATED HOSE INSTALLATION

CAUTION! The material delivery Heated Hoses are color coded Red and Blue, allowing the user to recognize them. The Red corresponds to the Isocyanate (Iso, A) and the Blue to the Polyol (Poly, R). To avoid connection errors, the Coupling Connections of the Iso (A) and Poly (R) Heated Hoses are different sizes to ensure correct orientation.

NOTE! The material delivery Heated Hoses are capped at the ends to prevent absorbing moisture. Do not remove caps until the Heated Hoses are going to be installed on the Proportioner.

1. Lay out all the Heated Hose assemblies end to end aligning the Iso “A” (red) and Poly “R” (blue) and connect the respective Coupling Connections using the appropriate sized open-end wrench after ensuring Heated Hose assemblies lay flat.

CAUTION! Take care to not cross-thread or over-tighten the Coupling Connections. Thread seal tape or compound is not recommended for these tapered seat Coupling Connections.

2. Connect the material Heated Hoses to the outlets of the respective Heaters i.e. Iso (A) Heated Hose to the Iso (A) Heater and the Poly (R) Heated Hose to the Poly (R) Heater ensuring Heated Hose assemblies lay flat. (For half inch hose assemblies, all required fittings and instructions are included in kit 200212)
3. Connect Air Hose Coupling Connections.
4. Connect the Heated Hose power wires to the “Fast-Lock” Connector (Part# KT-00029A) coming from the Hose Heat Transformer as follows:
 - (a) Loosen the Socket Head Set Screw to allow insertion of the Heated Hose electrical wire Terminal.
 - (b) Insert the Terminal into the “Fast-Lock” Connector Body.
 - (c) Securely tighten the Socket Head Set Screw.
 - (d) Install electrical tape around Connector Body.

NOTE! A good practice is to add some dielectric grease (Permatex 67VR or equivalent) to the outside of the Terminal, where the electrical connection is made, prior to insertion.

5. Repeat the above steps to connect the “Fast-Lock” Connectors that you will find on all Heated Hose power wire.

CAUTION! Ensure the proper mechanical and electrical connections of the Heated Hoses are made to avoid possible material leakage and Hose heat problems.

6. It is recommended the TSU be installed between the last section of Heated Hose and the Gun Whip. Carefully straighten the sensing wire, inserting it in the Iso (A) Heated Hose and tighten fluid fittings with appropriate sized open-end wrenches.

CAUTION! To protect the TSU sensor, you must pay special attention not to kink or excessively bend the Heated Hoses. Do not coil the Heated Hoses with a diameter of less than 4 feet (1.22 Meters).

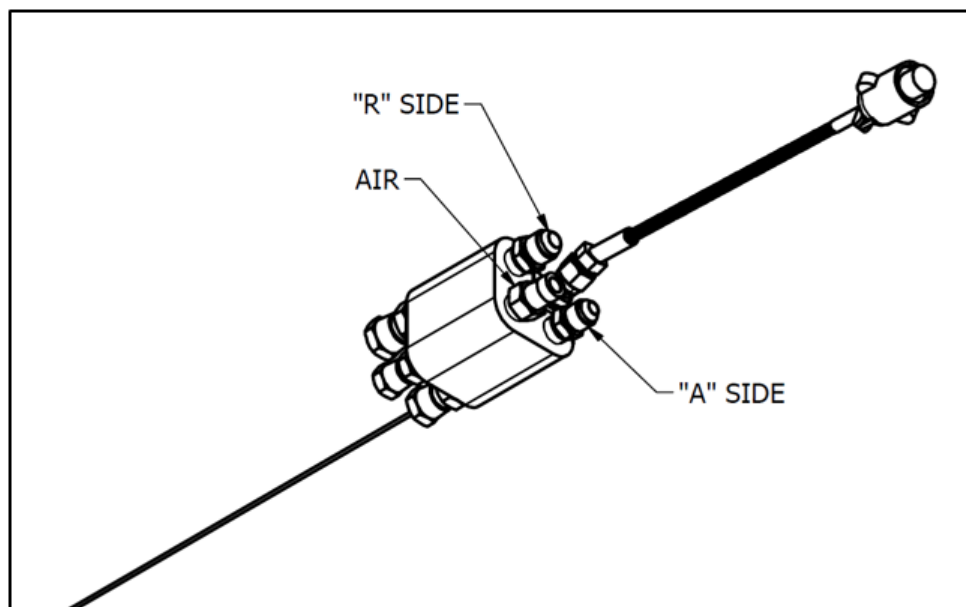


Figure 8: Temperature Sensing Unit

(TSU) Part# EL-51A-4
Replacement Sensor Part# EL-51A-2

CAUTION! Connecting the TSU between the first and second section of Heated Hose results in the TSU sensing the material temperature exiting the Heater and not the inside of the Heated Hose near the Spray Gun.

7. Ensure the Manual Valves are CLOSED and connect the Coupling Block to the Heated Gun Whip.

CAUTION! Excessive force closing or opening the Manual Valves may result in damage to the Manual Valves and/or Coupling Block.

8. Connect the Transfer Pump/ Heated Hose Assemblies/Air Supply and Air Dryer systems as required. Review the Installation Instructions for each to ensure proper set-up and operation.
9. Install the Material Transfer Pumps as follows:

WARNING! If Transfer Pumps have been previously used, pay special attention to connect each Pump to its specific material. Inadvertently changing the Transfer Pumps will cause a chemical reaction rendering them useless.

NOTE! Placing a tape of the same color as of the Material Delivery Hoses (red for the Iso (A), blue for the Poly (R)) on each Transfer Pump would be a good method for minimizing errors in connection.

- a. Make sure that the Inlet Valves on the Proportioner are closed.
- b. Connect one end of the Polyol (R) Material Delivery Hose (3/4" thread) to the Proportioner Polyol (R) Inlet Valve and the other end to the Polyol (R) Transfer Pump.
- c. Connect one end of the Iso (A) Material Delivery Hose (1/2" thread) to the Proportioner Iso (A) Inlet Valve and the other end to the Iso Transfer Pump.
- d. Connect the air hose to the Transfer Pumps after ensuring each Transfer Pump Shut-Off Valve is CLOSED.

NOTE! To avoid errors in connection, the Coupling connections of the Iso (A) and Poly (R) Material Delivery Hoses are different sizes, making it difficult to swap connections.

10. Ground the Transfer Pump as recommend by the material supplier. The movement of product inside the Hoses can cause static electricity and produce electrical discharges.
11. Connect air to the air line coming off the first section of hose (90-110 psi, 6-8 bar)

6.2 HOSE HEAT TRANSFORMER

The Hose Heat Transformer offers the ability of connecting to different output voltages depending on the total length of the Heated Hose in use, maximizing the heating ability of the Heated Hose. The factory setting is 18 volts for use with 60 feet of Heated Hose. Before starting the Proportioner, ensure the setting matches the Heated Hose length installed. If Heated Hose sections are added or removed, the Tap setting should be changed to a setting which will limit the maximum amperage in the Heated Hose to 52 amps. The suggested settings are listed in the table below.

| RECOMMENDED TAP SETTINGS | | |
|--------------------------|--------------------|----------------------|
| Tap | Hose Length (Feet) | Hose Length (Meters) |
| 120V | 410 | 125.0 |
| 105V | 360 | 109.7 |
| 90V | 310 | 94.5 |
| 75V | 260 | 79.5 |
| 60V | 210 | 64.0 |
| 45V | 160 | 48.8 |
| 30V | 110 | 33.5 |
| 18V | 60 | 18.3 |

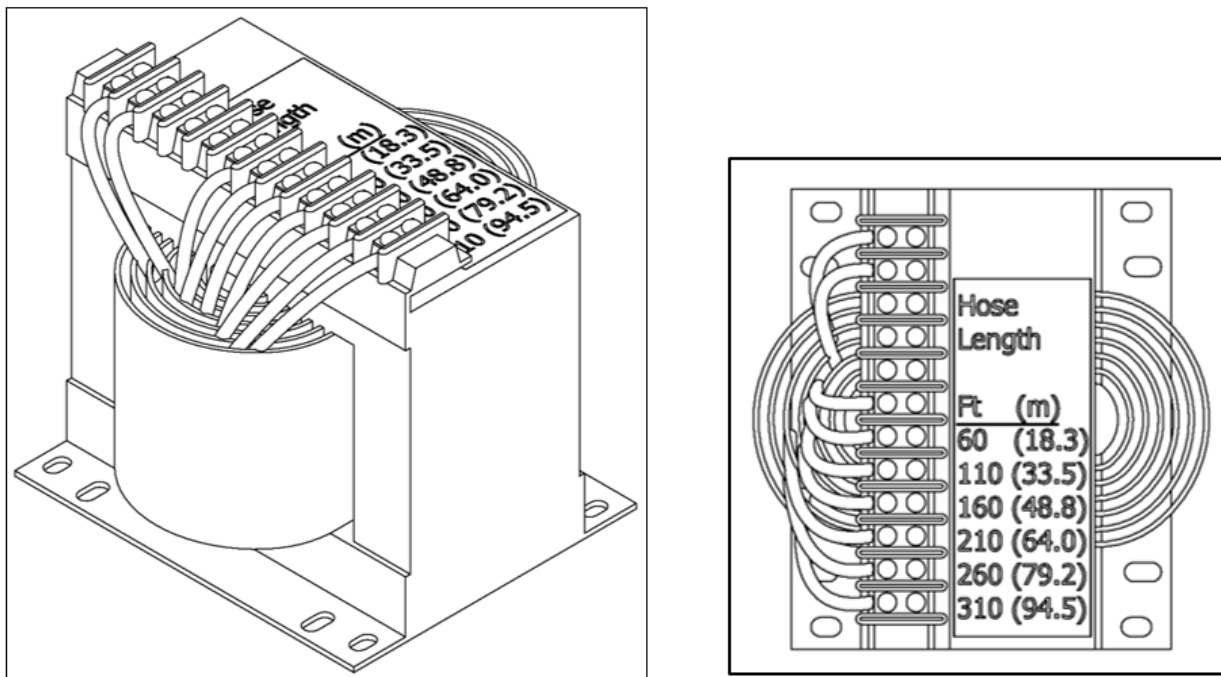


Figure 9: Transformers

*90V transformers (shown above) allow for a maximum hose length of 310 ft (94.5 m). 120V transformers allow for a maximum hose length of 410 ft (125 m).

7 PROPORTIONER PURGING

WARNING! Use suitable Personal Protection Equipment (PPE) and follow the recommendations in the Safety Information provided by product suppliers when installing or working with the unit.

WARNING! Do not turn the Temperature Controllers ON until the Proportioner purging procedure is complete and the Primary Heaters and Heated Hoses are filled with material.

NOTE! Before using the Proportioner it is necessary to purge the entire system, including Heated Hoses of mineral oil left over from Quality Control testing and air. The following procedure is also followed to purge air entrapped by running out of material in the supply Drum/Reservoirs resulting in a significant indicated material pressure imbalance as indicated by the Pressure Gauges and sprayed material.

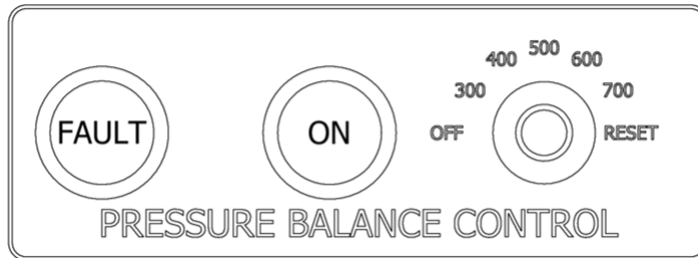
1. Ensure the following before proceeding:
 - a. Air supply to Transfer Pumps is 90 - 110 psi (6 - 8 bar).
 - b. Proportioner inlet ball valves are CLOSED.
 - c. All connections are tight.
 - d. Material should be stored to the material suppliers recommended temperatures.
 - e. Spray gun coupling block is installed and manual valves are closed.
2. Slowly OPEN the Poly (R) Transfer Pump Air Shut-Off Valve allowing Pump to cycle slowly as it fills the Material Delivery Hose to the Proportioner. Check for leaks.
3. OPEN Poly (R) Coupling Block Manual Valve over a waste container.
4. Slowly OPEN Proportioner Poly (R) Inlet Valve allowing Transfer Pump to move material through the system. When all spitting of air stops and all traces of mineral oil have disappeared, CLOSE Poly (R) Coupling Block Manual Valve. Clean Coupling Block.
5. Repeat steps 2 to 4 for Iso (A) side.

CAUTION! Properly dispose of all waste chemicals in accordance with all applicable local, state and federal codes. DO NOT turn on the Auto Countdown Switch or the Pressure Balance Control Switch.

6. Turn Hydraulic Pressure Control (Item N, Figure 4) fully COUNTERCLOCKWISE.
7. Turn ON Main Power (Item Q, Figure 5).
8. Turn ON Motor Power (Item W, Figure 5). Button will turn green when activated.
9. Activate Pump Power (Item X, Figure 5). The button will turn green and the pump will activate. Turn Hydraulic Pressure Control CLOCKWISE increasing material pressure to 400 psi (28 bar). Both Material Pressure Gauges (Items H & K, Figure 3) should approximately read the same. Check all Heated Hose Coupling connections for leakage.
10. Check all TSU and "Fast-Lock" connections for leaks.
11. Bundle all Heated Hose Connections ensuring that there are NO kinks in the TSU Cable or Air Hose. Wrap with Electrical Tape to securely hold all components in place and minimize places for bundle to snag onto job site protrusions.

8 PRESSURE BALANCE CONTROL

The PH Series Proportioner has been designed with a pressure balance control system. This system will give the operator of this machine the ability to control a pressure imbalance within certain predetermined parameters.



The system consists of:

Selector Switch
Fault Light
On Light
Control Unit
Pressure Transducers
Relay

8.1 OPERATION

Position the selector switch on one of the three options:

- **Pressure Differential Number** - these consist of 300, 400, 500, 600, and 700 PSI. Selecting any of these numbers with the switch will activate the green ON light. While the pressure differential numbers are selected, the control box will continually monitor pressure on both sides of the Proportioner. In the event that the pressure differential between both sides of the Proportioner is equal to or larger than the selected number, a fault is given (the red fault light is turned on and the active green light is turned off) and shuts down.
- **Off** - if the selector switch is placed in this position, the Proportioner will operate as though there is NO PRESSURE BALANCE CONTROL SYSTEM (neither the red fault light nor the active green light will be lit). The over pressure system will remain active for the machine and personnel protection.
- **Reset** - in the event of a pressure imbalance, resolve the Proportioner imbalance, position the selector switch on reset to clear the fault light and restore power to the Proportioner. After the fault has been cleared, position the switch in either a Pressure Differential number or in the OFF Position to continue operations.

9 DIGITAL TEMPERATURE CONTROLLER

The PH Series has three Digital Temperature Controllers to manage the temperatures for the Primary Heaters (Iso (A), Poly (R)) and the Heated Hose. The Hose Heater Controller is programmed different from the Iso (A) and Poly (R) Controllers and therefore not interchangeable with them.

WARNING! Do not turn the Temperature Controllers ON until the Proportioner Purging procedure is complete and the Primary Heaters and Heated Hoses are filled with material.

EATON CONTROLLER

1. Ensure Main Power (See Figure 5 on page 16) is ON, Control Power (See Figure 5 on page 16) is ON and **01** Display light is lit.
2. Press and release X button. The display will read **SP1**.
3. Press and release up or down button to display the **current material temperature set-point**.
4. Press and hold the up or down button to **increase** or **decrease** the material temperature set-point to the desired value as determined by the material supplier or application conditions.
5. Press and release up and down together to return to the **actual material temperature** in the Primary Heater/Hose Heater.

NOTE! The Temperature Controller normally displays the actual material temperature. When lit, the “01” display in the upper left indicates power is sent to the designated heating system. The “01” display goes out when the material temperature has reached its set-point. The “01” display will continue to cycle on and off indicating the Controller is maintaining the material temperature set-point.

OMRON CONTROLLER

1. Press and hold the UP or DOWN keys to **increase** or **decrease**, respectively, the material temperature set-point to the desired value as determined by the material supplier or application conditions.
2. The smaller **green** numbers in the bottom right side of the controller display the set point. The larger **white** numbers in the center of the controller display the actual temperature of the material as read by the thermocouples in the Pre-Heater and TSU assembly. See the image below for the OMRON Heater Controller display.
3. Turn the Heater Temperature Switch (See Figure 5 on page 16) to the **right** to turn ON each heater.



NOTE! The Temperature Controller displays the actual material temperature and the set point. The **YELLOW** box with the word **OUT** indicates that the heaters are being powered.

WARNING! The Controllers are factory programmed and are not field re-programmable. If a problem is encountered, contact your PMC Distributor. Do not attempt to change any of the programmed parameters. Do not substitute a Controller from an alternate supplier as its use may result in equipment damage and/or bodily injury.

10 START-UP

NOTE! Follow the recommended procedure in the order shown.

CAUTION! The Start-up procedures assume that all steps in Proportioner purging have been performed and no problems were found.

1. Check the hydraulic fluid level and service as required.
2. Make sure the materials have been stored at the manufacturer's recommended temperature. Ask your material supplier for information (Material Safety Data Sheet) on the minimum storage temperature.
3. Y-Strainer screens should be checked routinely.
4. Connect air supply to the two Transfer Pumps and ensure Air Valves are in the full OPEN position. OPEN both Proportioner Material Inlet Ball Valves.

CAUTION! Remove all Heated Hose sections from coiled storage and lay flat to eliminate heat build-up and possible Heated Hose failure.

5. Turn ON Main Power (See Figure 5 on page 16).
6. Turn ON Control Power (See Figure 5 on page 16).
7. Turn ON Hose Heater (See Figure 5 on page 16) and confirm material set-point temperature as recommended by the material supplier or application conditions.

CAUTION! To avoid excessive pressure in the Proportioner, wait for the Hose Heater to reach its set-point temperature before continuing.

8. Turn ON each Primary Heater and confirm material set-point temperature as required by the material supplier or application conditions has been reached.
9. Turn ON Motor Power (See figure 5 on page 16).
10. Set Pump Switch (See Figure 5 on page 16) to NORMAL. One of the Directional Indicator Lights (See Figure 5 on page 16) will illuminate, indicating the Metering Pump direction, and the Metering Pump Shafts will begin to move.

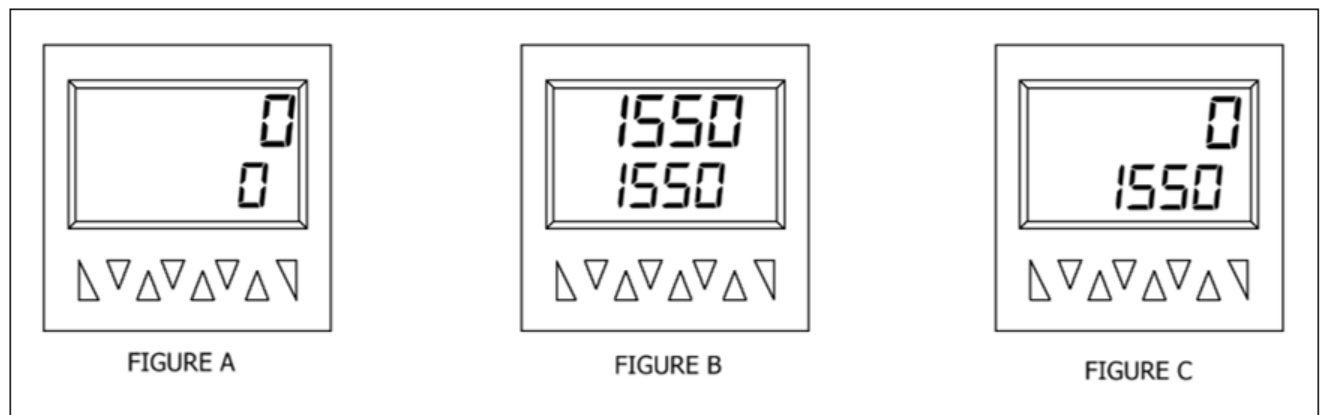
NOTE! The Material Pressure Gauges should be approximately equal and remain constant throughout the Metering Pump cycle. If not, refer to Trouble Shooting section.

NOTE! Directional Indicator Lights must indicate Metering Pump direction when Pump Switch is in the NORMAL position. If not, refer to Trouble Shooting section.

- 11a. Using the Hydraulic Pressure Control, adjust to the required **stall pressure** and check each Material Pressure Gauge.
- 12a. Auto Shut Down Counter - **If this function is not needed, leave it in the off position.** To set the Auto Shut Down Counter:
- Turn the switch to the on position, the green light will illuminate.
 - Insert the number of cycles desired to disable the PH machine by pushing in on the white triangles to set the cycle count. Push in on the red button until the data is replicated on the top row, the top row will count down.

| Model | Pump Size | Cycles per Gallon |
|------------------|-----------|-------------------|
| PHX-2 (3,000PSI) | 61 | 55 Cycles |

- When the counter counts down to zero the machine will stop and the pump directional light will be off, push in on the red button to reset.



- 13a. Proceed with Installation and Start-up of the Spray Gun as per the Gun manual.

Stall pressure: When materials are at recommended application temperature and Metering Pumps are pressurized but not moving. This pressure is normally 100–200 psi (7-14 Bar) greater than the developed spray pressure as recommended by the material supplier.

NOTE! Directional Indicator Lights must indicate Metering Pump direction when Pump Switch is in the NORMAL position. If not, refer to Trouble Shooting section.

- 11b. (See Figure 5 on page 16) - **If this function is not needed, leave it in the off position.** To set the Auto Shut Down Counter:
- Input the number of cycles desired to disable the PF machine onto the Auto Shut Down Counter by pushing in on the gray buttons to set the Countdown Value. The bottom row of **green** numbers identifies the set point. The top row of numbers identifies the number of cycles left to count down and will initially be colored **red** before the Countdown Value is set. Each button corresponds to a specific digit. For example, in order to set the Auto Shut Down Counter to a value of 136 as seen in the images below, press Button 1 (6) times, Button 2 (3) times and Button 3 (1) time. See table on page 30 for approximate cycles required per gallon or liter.
 - Press the gray “RST” button on the bottom left of the display to set the countdown value. The top row of numbers will now become **green**. Turn the Pump Switch (See Figure 5 on page 16) to **Normal**. The top row of numbers will count down by 1 after each cycle of the Pump Line is completed.
 - After the Pump Line has completed the set number of cycles, the Countdown Value will read “0” and change color to **red**, the Pump Line will stop in the Retract position, and the Pump Switch/Indicator Light will no longer illuminate.
 - To make the machine operational again, reset the Countdown Value by pressing the “RST” button with the next desired Countdown Value or by shutting off the Auto Shut Down Counter.
- 12b. Proceed with Installation and Start-up of the Spray Gun as per the Gun manual.



11 SHUT-DOWN

11.1 SHORT-TERM

Follow the procedure below for temporary shut-downs, such as **lunch breaks**:

1. Set Pump Switch (See Figure 5 on page 16) to the OFF position.
2. Turn both “A” and “R” Heaters OFF. Hose Heater should remain ON. Never leave Proportioner ON if unattended.
3. CLOSE Spray Gun Manual Valves.

CAUTION! Excessive force opening or closing the Manual Valves may result in damage to the Manual Valves and/or Coupling Block.

11.2 LONG-TERM

Follow the procedure below for shut-downs when work is **stopped for the day**:

1. Set Pump Switch (See Figure 5 on page 16) to the RETRACT position.
2. Spray off the application surface until Material Pressure Gauges (See Figure 3 on page 14) readings begin to fall.

CAUTION! To avoid possible Proportioning Pump Seal weepage, and moisture vapor drive into the Heated Hoses, the system pressure should not be reduced to zero. It is recommended to lower the system pressure to a minimum of 400 psi (28 bar).






3. CLOSE the Spray Gun Coupling Block Manual Valves.
4. Turn OFF Motor Power (See Figure 5 on page 16).
5. Turn OFF the A and R Heaters and Hose Heater (See Figure 5 on page 16).
6. Turn OFF the Control Power (See Figure 5 on page 16).
7. Turn OFF the Auto Shut Down Switch (See Figure 5 on page 16).
8. Turn OFF the Main Power (See Figure 5 on page 16).
9. Disconnect the air supply to the two Transfer Pumps and CLOSE the Proportioner Material Inlet Valves.

CAUTION! Excessive force opening or closing the Manual Valves may result in damage to the Manual Valves and/or Coupling Block.

12 TROUBLESHOOTING

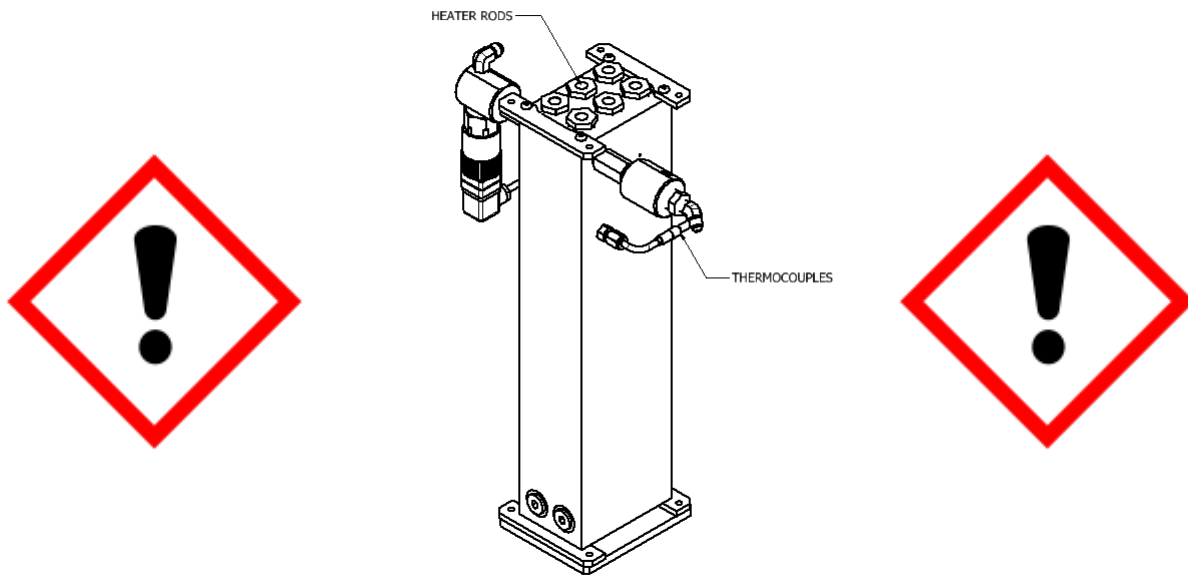
This PH Series Proportioner has been designed and built to withstand severe working conditions with a high degree of reliability, provided that it is used in a suitable application by a properly trained operator. This chapter contains information on possible faults that may interrupt the operation of the PH Series Proportioner. The information provided will serve as a guideline to detect and resolve problems. In any case, feel free to contact your authorized PMC distributor, where a qualified technician will advise you.

WARNING! Only qualified personnel should perform troubleshooting; unqualified personnel may cause damage to the unit and put the operator at risk.

| | |
|---|---|
|  | <p><i>To prevent possible injury caused by incorrect handling of the raw materials and solvents used in the process, carefully read the Material Safety Data Sheet (MSDS) provided by your supplier. Deal with the waste caused according to current regulations.</i></p> |
|  | <p><i>To avoid damage caused by the impact of pressurized fluids, do not open any connection or perform maintenance work on components subject to pressure until the pressure has been completely eliminated.</i></p> |
|  | <p><i>Use suitable protection when operating, maintaining or being present in the area where the equipment is functioning. This includes, but is not limited to, the use of protective goggles, gloves, shoes and safety clothing and breathing equipment.</i></p> |
|  | <p><i>The equipment includes components that reach high temperatures and can cause burns. Hot parts of the equipment must not be handled or touched until they have cooled completely.</i></p> |
|  | <p><i>To prevent serious injury through crushing or amputation, do not work with the equipment without the safety guards installed on the moving parts. Make sure that all the safety guards are correctly reinstalled at the end of the repair or maintenance work of the equipment.</i></p> |

12.1 HEATERS

WARNING! Only qualified personnel should perform troubleshooting; unqualified personnel may cause damage to the unit, personnel, or property and put the operator at risk. The Heaters are components that reach high temperatures; you must wait until they cool before handling.



NOTE! The Thermal Limit Switch is a safety switch in contact with the Heater Body. If the surface temperature exceeds 220°F (109°C) the Limit Switch will shut off the Heater power. The Limit Switch will not re-set until the temperature in the Heater is below 190°F (88°C). The system is designed that in case of an over temperature, a contactor located in the console will open and disable power to both Heaters and the Hose.

Follow the recommended procedure in the indicated order to solve the problem and avoid unnecessary repairs. Make sure all Switches are in the correct position and Indicator Lights ON before determining the existence of a fault.

Frequent Heater Problems

| | |
|---|---------|
| Primary heater does not heat and the display on the controller shows ambient temperature. | Page 35 |
| Primary heater does not heat and the display on the controller shows an error message (SbEr, EEPE, CjEr, AdEr). | Page 36 |
| Primary heater controller shows excessive temperature and the circuit has turned off. | Page 36 |
| Primary heater Temperature drops excessively while spraying. | Page 37 |

- **Problem:** Primary heater does not heat and the display on the controller shows ambient temperature.

Solutions:

1. Check that the light on the on/off switch is lit when the heater is turned on, if not replace the switch.

If the light is on, move to the next step.

2. Check the heater breaker in the main console and reset the breaker. If it continues to trip, wrap an Amp Clamp around one of the wires coming off the breaker. If the Amperage reading does not exceed the rating of the breaker, the breaker needs to be replaced. If the breaker draws more than its rating the most likely cause is that one or more of the fire rods located in the heater are shorted.

If the breaker is not tripped, move on to the next step.

3. Open the console top and locate the solid state relays for the heaters, looking over the console top from the front of the machine. There are two relays to the left bottom of the console, the one to the far left is for the “A” heater and the one to the right is for the “R” heater. With the heater on, look to see if an LED light is lit on the relay.

If there is no LED light on the solid state relay, move to the next step.

4. With a DC volt meter read across position A1 and A2 on the solid state relay (smaller wires) if you have a reading of 4-6 volts DC and the AC reading across L1 and L2 (Heavy wires) reads 208-230 volts AC replace the solid state relay. With 4-6 volts DC at A1 and A2 the proper reading should be 1 volt AC across L1 and L2. A defective over temperature switch will open a contactor disabling both Heaters and the Hose.

If there is no DC voltage to the relay, move to the next step.

5. Check the M1 contactor to ensure it is activated. If not, inspect the contactor for failure.

If the M1 contactor is activated, move to the next step.

6. Using a DC volt meter, on an Eaton Controller measure across position 5 and 9 on the back of the heater controller. On an Omron Controller measure across position 5 and 6 on the back of the heater controller. This is the output of the controller and sends power to the solid state relay. On an Eaton Controller, your reading will be 4-6 volts DC. On an Omron Controller, your reading will be 12 volts DC. If there is no reading check to make sure that the set temperature of the controller is above the actual temperature reading on the controller. Before replacing the controller read across position 1 and 2 to make sure that the controller is powered up, your reading will be 208 to 230 volts AC. If there is no voltage detected; check for loose wires or a malfunction of the heater circuit breaker.
-

- **Problem:** Primary heater does not heat and the display on the controller shows an error message (SbEr, EEPE, CjEr, AdEr).

Solutions:

1. Check position 6 and 7 on the heater controller for loose wires.
If the wires are tight, move to the next step.
 2. Remove the heater cover and check that the thermocouple wires are secure to the harness going up to the controller.
If there are no loose connections replace the heater thermocouple.
-

- **Problem:** Primary heater controller shows excessive temperature and the circuit has turned off.

CAUTION! The heater must be allowed to cool down before continuing.

Solutions:

1. Set the controller set point at least 20 degrees lower than the temperature shown on the controller. Briefly turn on the heater and look for the LED light on the solid state relay to be on.
If the light is on, replace the controller.
If the light is off, replace the solid state relay.
-

- **Problem:** Primary heater Temperature drops excessively while spraying.

Solutions:

1. Temperature of the chemical in the containers is too cold.
2. Exceeding the flow rate specification of the machine. Use a smaller mixing chamber to reduce flow.
3. Disconnect power to the machine. One or more of the fire rods in the heater have malfunctioned. Remove the heater cover and disconnect the wires to measure the resistance across each rod. Installing a smaller mixing chamber in the gun may allow you to spray until a new rod(s) is installed.

CAUTION! If the rod that is used in conjunction with the thermocouple is defective, do not operate the heater until the rod is replaced.

Individual Ohm Measurement

| | |
|-----------|---------|
| 1250 WATT | 37 OHMS |
| 1500 WATT | 31 OHMS |
| 1750 WATT | 27 OHMS |

12.2 HYDRAULIC DRIVE SYSTEM

Frequent Hydraulic Drive System Problems

| | |
|---|---------|
| Hydraulic Pump does not develop pressure and the electric motor is not running. | Page 38 |
| Hydraulic Pump does not develop pressure. | Page 39 |
| Low or zero hydraulic pressure with unusual Hydraulic Pump noises. | Page 39 |

Follow the recommended procedure in the indicated order to solve the problem and avoid unnecessary repairs. Make sure all Switches are in the correct position and Indicator Lights ON before determining the existence of a fault.

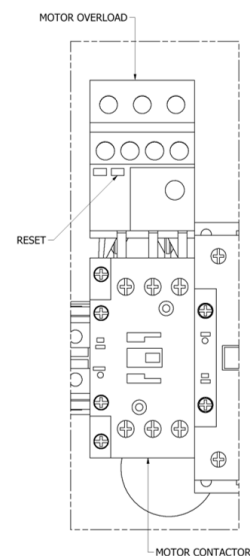
WARNING! Only qualified personnel should perform troubleshooting; unqualified personnel may cause damage to the unit, personnel, or property and put the operator at risk. The Heaters are components that reach high temperatures; you must wait until they cool before handling.

CAUTION! Excessive force opening or closing the Manual Valves may result in damage to the Manual Valves and/or Coupling Block.

- **Problem:** Hydraulic Pump does not develop pressure and the electric motor is not running.

Solutions:

Motor Contactor Safety or Motor Breaker - The Electric Motor is protected from excessive current by an Overload Safety Switch. After allowing the Motor to cool, open the Control Panel and reset Motor Contactor Safety.



- **Problem:** Hydraulic Pump does not develop pressure.
Solutions:

NOTE! Hydraulic pressure is not generated if the Motor Power Switch (See Figure 5 on page 16) is OFF or the Pump Switch (See Figure 5 on page 16) is in the OFF position.

Hydraulic Power Package - With the Pump Switch in the NORMAL position, the failure of the Hydraulic Pump to develop pressure is loss of pump suction (prime). To ensure positive prime, check the following:

- a. Motor Rotation.
- b. Hydraulic Reservoir is filled to the correct level.
- c. Hydraulic Pump Case is filled with the proper hydraulic fluid.
- d. Loose Inlet Plumbing: Check that all inlet plumbing to Hydraulic Pump is tight ensuring no air leakage into the hydraulic system.

-
- **Problem:** Low or zero hydraulic pressure with unusual Hydraulic Pump noises.
Solutions:

1. The use of an incorrect hydraulic fluid can result in unusual noises from the pump, excessive wear, and moisture absorption. Ensure the hydraulic oil used is from the list on page 56. In addition, continuous excessive hydraulic oil temperature as well as failure to change the hydraulic oil on a yearly basis will cause the oil to fail and result in excessive Hydraulic Pump wear and unusual noises.
2. Loose Inlet Plumbing: Check that all inlet plumbing to Hydraulic Pump is tight, ensuring no air leakage into the hydraulic system.

12.3 METERING PUMP-LINE

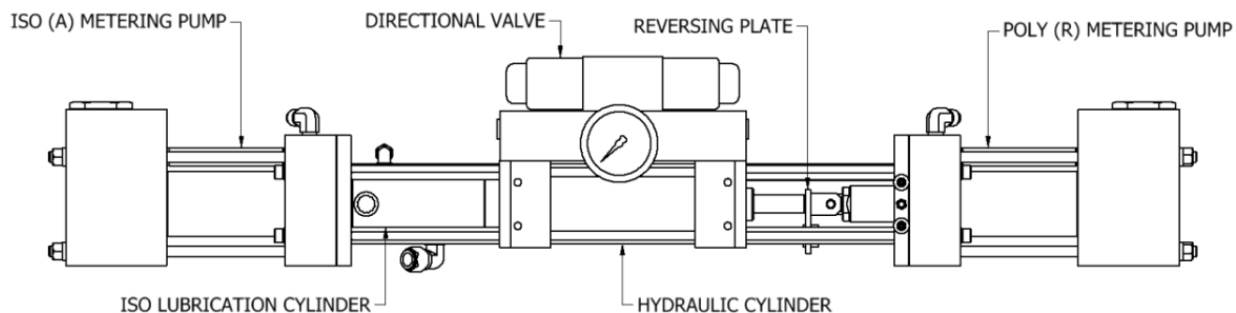


Figure 10: Metering Pump-Line (PL-1A/PL-2)

Frequent Pump-Line Problems

| | |
|--|---------|
| Metering pumps do not change direction and the pressures on both of chemical gauges are lower than normal. | Page 40 |
| Cavitation. | Page 43 |
| Pressure Loss: Discharge/Inlet Ball. | Page 43 |

Follow the recommended procedure in the indicated order to solve the problem and avoid unnecessary repairs. Make sure all Switches are in the correct position and Indicator Lights ON before determining the existence of a fault.

- **Problem:** Metering pumps do not change direction and the pressures on both of chemical gauges are lower than normal.

Solutions:

1. The Metering Pump Line has Reversing Plates which actuates two Proximity Switches (EL-153), one at each end of the stroke. The Prox Switches in turn actuate the appropriate Directional Valve Solenoid (HI-05003). Failure to make contact with either Prox Switch may be caused by:
 - a. Deformation of the Reversing Plate.
 - b. Foreign material preventing the Reversing Plate from contacting the Prox Switches.
2. Passing of the Reversing Plate beyond the Prox Switch may be caused by:
 - a. Failure of the Prox Switch and related components on the side of the over-run.
 - b. Failure of a component of the Directional Valve.
 - c. Mounting Plate and/or Prox Switch is out of adjustment.

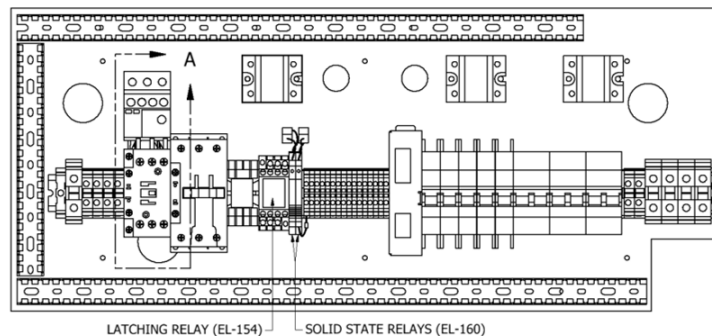
NOTE! IF THE DIRECTIONAL INDICATOR LIGHT (Q, Page 16) IS ON CHECK THE REVERSING VALVE COIL ON THE SIDE THAT THE LIGHT IS ON. IF YOU HAVE 24 VOLTS DC AT THE PLUG CHECK THE OHM'S RESISTANCE OF THE COIL, IT SHOULD READ APPROXIMATELY 19 OHM's, IF NOT REPLACE THE COIL OR REVERSING VALVE. IF THE DIRECTIONAL LIGHT IS OFF PROCEED BELOW.

NOTE! BEFORE TROUBLESHOOTING, THE REVERSING PLATE MUST BE MOVED AWAY FROM THE SWITCH.











- d. Bleed down the chemical pressures.
- e. Ensure Pump Switch (P, section 5) is **OFF**.
- f. Turn on the motor (X, section 5).
- g. Go to the Directional Valve and locate the Actuation Coils. Located in the middle of each coil is a small round tab that can be pushed in to manually shift the spool to move the pumps. If the Reversing plate is all the way to the left push in on the right side coil. If it's all the way to the right side, push in on the left side coil.

WARNING! THE MOTOR MUST BE OFF AND THE PUMP SWITCH IN THE NORMAL POSITION.

- h. Take a small screw driver or a thin piece of metal and move it across the front of each Prox switch. A red light on the back of the switch should illuminate. If not, replace the switch that does not light.
- i. If the Prox switches light up, turn off all power and check for continuity on both over pressure switches, pin 1 and 2. If the pressure switches are good, go to the two solid state relays inside the console and interchange them, they can be pulled from their housing. Power up the unit with the pump switch in the normal position and the motor **OFF**. If the directional light comes on replace the defective solid state relay. If not replace the Latching relay.



3. Safety Pressure Switch - Each Metering Pump has a Safety Pressure Switch set to 2,200 psi. for # 123 pumps, 3,200 psi for #61 pumps. When the material system reaches this pressure, the Safety Pressure Switch will remove power from the Directional Valve and Direction Indicator Lights (Q, section 5). Lack of Direction Indicator Lights along with high pressure indicated on one or both of the material Pressure Gauges (E, F, section 5) is an indication of an over-pressure condition. The Safety Pressure Switches are a momentary design; when the pressure bleeds off the Metering Pump Line will resume normal operation. However, the cause of the over-pressure should be determined and corrected. The most common causes are:
 - a. Cavitations of the Metering Pump on the **low** pressure side causing high pressure on the opposite side.
 - b. A restriction in the Spray Gun on the **high** pressure side.
4. Pressure/Material Imbalance - Troubleshooting this problem requires the applicator to:
 - a. Know what the NORMAL spray pressures are for the application in progress.
 - b. Determine what material is NOT exiting the Mixing Chamber.
 - c. Read the Pressure Gauge on the problem side and interpret the reading.

| Material Condition | "A" GAUGE | "R" GAUGE |
|-------------------------|---|---|
| NORMAL |  |  |
| LACK OF ISO (A) |  |  |
| LACK OF POLY (R) |  |  |
| RESTRICTION OF ISO (A) |  |  |
| RESTRICTION OF POLY (R) |  |  |

- **Problem:** Cavitation.

Solutions:

1. Cavitations occur when the Metering Pump (B or C, section 5) requires a larger volume of material than the supply system (Transfer Pump) can furnish. This creates a "void" of material in the Metering Pump. The most common causes of cavitations are:
 - a. Material temperature too low causing increased material viscosity resulting in the inability of the Transfer Pump to maintain sufficient supply to the Metering Pump. This is most common with today's blowing agents. Ensure the material temperature in the drums is no lower than the material suppliers' recommendation.
 - b. Failure to vent the material drum while drawing material out with the Transfer Pump causes a vacuum and cavitations in the Transfer Pump. Ensure the drum is vented to the atmosphere or a Desiccated Air Dyer Kit is installed as recommended by the material supplier.
 - c. Insufficient air volume for Transfer Pump or a partially closed Transfer Pump Air Valve will limit the ability of the Transfer Pump to operate at its maximum capability.
 - d. Inlet Material Screen (M, section 5) obstructed (See MAINTENANCE section, page 48).
 - e. Metering Pump Inlet Ball does not seat properly allowing material to flow back into the Material Delivery Hose when the Metering Pump is on the "Discharge" stroke. This causes the volume of material on that Metering Pump to be less on the discharge stroke resulting in intermittent off-ratio material and Pressure Gauge fluctuation.

- **Problem:** Pressure Loss: Discharge/Inlet Ball.

Solutions:

1. Simultaneous observation of the material Pressure Gauge (E, F, section 5) and Direction Indicator Light (Q, section 5) is necessary to determine which direction the Metering Pump fails to maintain pressure. Refer to the chart to determine problem:

| | Left Arrow Directional Indicator Light ON | Right Arrow Directional Indicator Light ON |
|----------------------------------|--|---|
| Iso Pressure Gauge FALLS | Iso Inlet Ball does not seat properly | Iso Discharge Ball does not seat properly |
| Poly Pressure Gauge FALLS | Poly Discharge Ball does not seat properly | Poly Inlet Ball does not seat properly |

In most cases the cause of a leaking Inlet/Discharge Ball is foreign material preventing the Ball from seating properly. If the above steps do not resolve the problem, replace the appropriate Ball. For service see MAINTENANCE: METERING PUMP-LINE (page 52).

12.4 HOSE HEATING

WARNING! Before correcting any kind of defect, make sure the Main Power Switch is OFF and incoming power is locked OFF. NEVER access the inside of the Control Panel with the Proportioner power supply ON. The Heated Hose are components which reach high temperatures; you must wait until they have cooled before handling.

CAUTION! Excessive force opening or closing the Manual Valves may result in damage to the Manual Valves and/or Coupling Block.

Hose Heating Problems

| | |
|--|---------|
| Heated Hose does not heat and the display on the controller shows ambient temperature. | Page 44 |
| Hose does not heat and the display on the controller shows an error message (SbEr). | Page 45 |
| Heated hose controller shows excessive temperature. | Page 46 |
| Hose will heat but does not come up to set temperature. | Page 46 |
| Hose does not heat and the display on the controller shows an error message. | Page 46 |

Follow the recommended procedure in the indicated order to solve the problem and avoid unnecessary repairs. Make sure all Switches are in the correct position and Indicator Lights ON before determining the existence of a fault.

- **Problem:** Heated Hose does not heat and the display on the controller shows ambient temperature.

Solutions:

1. Check that the light on the on/off switch is lit when the heater is turned on, if not replace the switch.

If the light is on, move on to the next step.

2. Check the Hose Heat breaker in the main console and reset the breaker. If it continues to trip, wrap an Amp Clamp around one of the wires coming off the breaker. If it does not draw more than the rated value of the breaker, the breaker needs to be replaced.

If the breaker is not tripped, move on to the next step.

3. Check the circuit breaker mounted on the transformer and reset the breaker. If it continues to trip, wrap an Amp Clamp around one of the wires from the transformer going to the heated hose. If it does not draw more than the rated value of the breaker, the breaker needs to be replaced.

If the Amp Draw is less than the rated value, move on to the next step.

4. Check that the tap setting on the transformer is set for the proper hose length.

If it is set correctly, move to the next step.

5. To check the secondary side of the transformer, you must take an AC volt reading across the two leads coming out of the transformer that are connected to the “A” and “R” hose leads. If you are reading voltage (your volt reading will vary depending on what tap setting is used), most likely the problem is in the heated hose. Either a connector has come loose or there is a broken wire.
6. Because the gun whip takes the most abuse, it is most likely the whip that has failed. Disconnect the crossover wires on the machine end of the whip hose and connect the two wires together coming off the 50’ section. Turn on the hose heat and see if the hose heat circuit is operating; if so replace the whip. To take a continuity reading through the heated hose, one of the leads from the transformer to the “A” or “R” heated hose must be disconnected.

If no voltage is coming out of the transformer to the heated hose, move on to the next step.

7. Open the right side of the tank (where the transformer is located) and locate the solid state relay for the hose circuit (EL-35). With the hose turned on and the LED light illuminated on the relay, take a volt meter (set on DC) and measure across position A1 and A2; your reading should be 24 volts. Then take an AC volts measurement across position L1 and L2 (heavy wires). With the relay functioning properly you should have a 1 volt Reading. If the Reading is 18 to 90 volts AC, the relay has malfunctioned and needs to be replaced. If the AC Reading across L1 and L2 is .025 volts check the over temperature switches in the heaters. A defective over temperature switch will open a contactor disabling both Heaters and the Hose.

If there is no light on the solid state relay, move to the next step.

8. Using a DC volt meter, measure across position 5 and 6 on the back of the hose controller. This is the output of the controller and sends power to the solid state relay. Your reading will be **4-6 volts DC**. If there is no voltage, check to make sure that the set temperature of the controller is above ambient temperature. Before replacing the controller, read across position 1 and 2 to make sure that the controller is powered up; your reading will be 208 to 230 volts AC.

If there is no DC voltage to the relay, move to the next step.

- **Problem:** Hose does not heat and the display on the controller shows an error message (SbEr).

Solutions:

1. Check position 6 and 7 on the heater controller for loose wires.
If the wires are tight, move to the next step.
2. Remove the transformer cover and check that the thermocouple wires are secure to the harness going up to the controller. If there are no loose connections, disconnect the wire from the TSU and connect it directly to the thermocouple harness

coming out of the hose transformer.

If the controller still shows the error code, replace the hose thermocouple. If the error code goes away and temperature is now shown on the display of the controller, then all the TSU harnesses from the TSU to the transformer need to be checked for loose connectors or one or more of the harnesses are defective.

- **Problem:** Heated hose controller shows excessive temperature.

Solutions:

1. Set the controller set point at least 20 degrees lower than the temperature shown on the controller. Briefly turn on the hose and look for the led light on the solid state relay to be on.

If the light is on, replace the controller.

If the light is off, replace the solid state relay.

- **Problem:** Hose will heat but does not come up to set temperature.

Solutions:

1. Check the tap setting on the transformer to ensure that the correct position has been selected for the length of hose being used. Depending on the machines incoming voltage, you may have to move the tap setting higher (up one).

CAUTION! Do not exceed the trip value of the transformer hose breaker.

WARNING! Before correcting any kind of defect, make sure the Main Power Switch is OFF and incoming power is locked OFF. NEVER access the inside of the Control Panel with the Proprietor power supply ON.

- **Problem:** Hose does not heat and the display on the controller shows an error message.

Solutions:

1. Check position 9 and 10 on the heater controller for loose wires.

If the wires are tight, move to the next step.

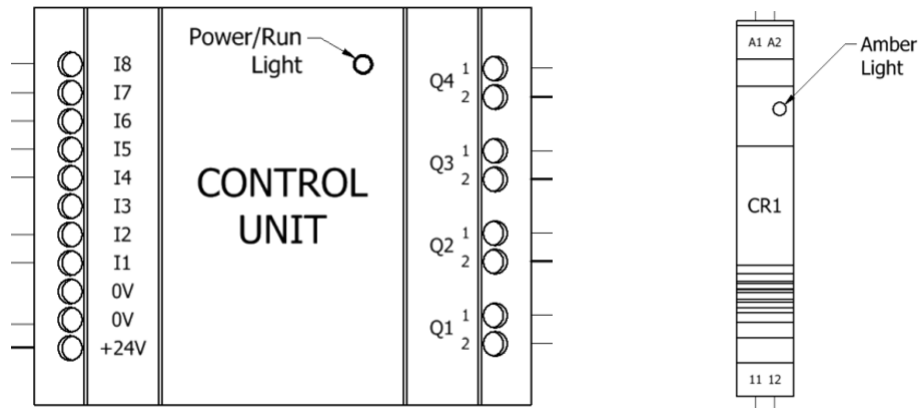
2. Remove the transformer cover and check that the thermocouple wires are secure to the harness going up to the controller. If there are no loose connections disconnect the wire from the TSU and connect it directly to the thermocouple harness coming out of the hose transformer.

If the controller still shows the error code, replace the hose thermocouple.

If the error code goes away and temperature is now shown on the display of the controller, then all the TSU harnesses from the TSU to the transformer need to be checked for loose connectors or one or more of the harnesses are defective.

12.5 PRESSURE BALANCE CONTROL







If the Pressure Balance Control box is not working properly, follow these steps to resolve the potential issue:



1. With the Main Power **ON**, check the Power/Run light on the Control Unit:
 - a. If **OFF**, the Control Unit is not getting power. Check for loose or poor wire connections. If the Power/Run light still does not turn on, contact your authorized PMC distributor.
 - b. If **SOLID**, the Control Unit has power but no program. Contact your authorized PMC distributor.
 - c. If **BLINKING**, the Control Unit has power and is programmed properly. Proceed to the next step.
2. With Main Power **ON**, turn the Rotary Switch to a Pressure Differential Number and check the Amber light on CR1:
 - a. If **OFF**, CR1 is not activating properly. Check for loose or poor wire connections between the Control Unit and CR1.
 - b. If **ON**, CR1 is activating, but the mechanical switch inside the relay may not be functioning properly. If the system has faulted (i.e. a pressure imbalance exists, the ON light turns off, and the FAULT light turns on), but the pumps do not shut off, check for continuity between contacts 11 and 12 on CR1. If there is continuity, contact your authorized PMC distributor. If there is discontinuity, proceed to the next step.
3. Contact your authorized PMC distributor for further assistance.

13 MAINTENANCE

To achieve maximum output from the PH Series Proportioner, a daily or regular maintenance schedule is required.

| | |
|---|---|
|  | <p><i>To prevent possible injury caused by incorrect handling of the raw materials and solvents used in the process, carefully read the Material Safety Data Sheet (MSDS) provided by your supplier. Deal with the waste caused according to current regulations.</i></p> |
|  | <p><i>Disconnect the unit from the power supply before carrying out any operation inside the electrical console. The electrical maintenance of the machine must only be performed by a qualified electrician.</i></p> |
|  | <p><i>To avoid damage caused by the impact of pressurized fluids, do not open any connection or perform maintenance work on components subject to pressure until the pressure has been completely eliminated.</i></p> |
|  | <p><i>Use suitable protection when operating, maintaining or being present in the area where the equipment is functioning. This includes, but is not limited to, the use of protective goggles, gloves, shoes and safety clothing and breathing equipment.</i></p> |
|  | <p><i>The equipment includes components that reach high temperatures and can cause burns. Hot parts of the equipment must not be handled or touched until they have cooled completely.</i></p> |
|  | <p><i>To prevent serious injury through crushing or amputation, do not work with the equipment without the safety guards installed on the moving parts. Make sure that all the safety guards are correctly reinstalled at the end of the repair or maintenance work of the equipment.</i></p> |

CAUTION! All repairs performed by unqualified personnel or the use of parts other than supplied by PMC may cause damage to the unit and put the operator at risk.

13.1 INLET MATERIAL SCREENS

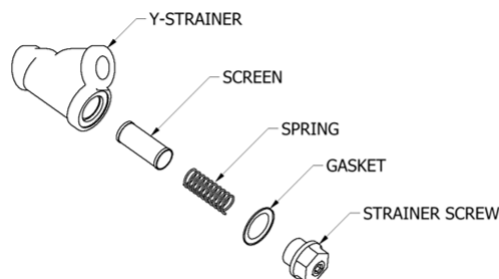
Inspection of the Inlet Material Screens on a daily basis is no longer necessary as long as the following conditions are met.

1. Material drums are stored within the recommended material storage temperature range and drums are not opened prior to installing the Proportioner Material Transfer Pumps.
2. Desiccant air dryers are used to dry replacement air as material is removed from the drums to the Proportioner.
3. Consolidation of old material into a common drum for use is minimized, especially the Iso (A).

If the above conditions are met, inspection of the Inlet Material Screens may be done on a **bi-weekly** basis.

NOTE! Inspect and clean Inlet Material Screens before Proportioner start-up. They should not be cleaned after the days' operation as the Proportioner should be purged (see page 24) immediately after inspection and cleaning. This is to reduce the risk of moisture contamination, contamination through the reaction with the solvent used in the cleaning operation, and cross-over at the Spray Gun due to air entrapment.

CAUTION! Make sure the Main Power Switch is OFF and incoming power is locked OFF.

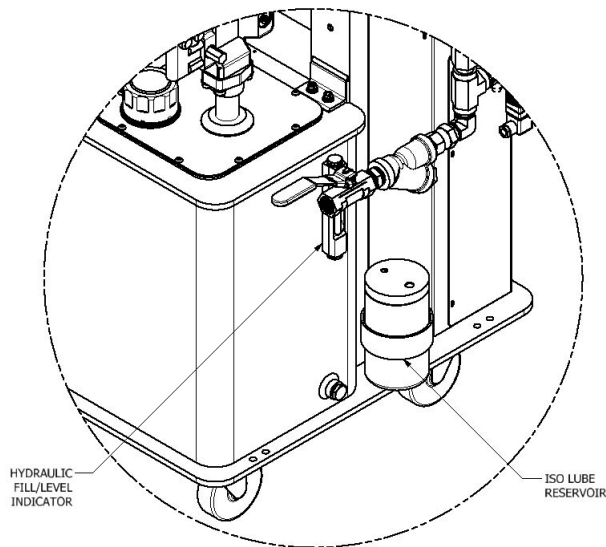


1. CLOSE the Poly (R) Proportioner Inlet Valve.
2. Place a suitable container under the Material Inlet Strainer to collect the residual material. Carefully loosen the Strainer Plug to drain material into the container.
3. Completely unscrew the Strainer Plug.
4. Remove the Seal, Spring and Screen and clean them with a suitable solvent. Dry the parts and ensure the Screen is not obstructed. Replace the Screen if more than 20% of the Screen surface is obstructed by residue.

5. Reinstall the Screen, Spring and Seal. Screw on the Strainer Screw and screw in Plug.
6. OPEN the Poly (R) Proportioner Inlet Valve, pressurize the Material Transfer Pump, check for leaks and wipe Y-strainer clean.
7. Repeat above for the Iso (A) side.
8. Proceed with Proportioner Purging operation (See page 24).

13.2 ISO LUBRICATION SYSTEM

DAILY: Check the condition of the PMC Lube Oil in the Iso Lube Reservoir. Replace the PMC Lube Oil if you see significant changes in the color or signs of solidification. Ensure inside of Reservoir is wiped clean.



To replace the Lube Oil, proceed as follows:

1. Remove the Lube Reservoir from its support, unscrew the Lid and remove the Check Valve from the Suction Hose.
2. Empty the contaminated Lube Oil in a waste container and refit the Check Valve in the Suction Hose.

NOTE! Valve is directional.

3. Clean the Reservoir, refill with Lube Oil, and screw on the Lid and place the Reservoir in its support.

The system is auto-suction and does not need priming.

13.3 HYDRAULIC DRIVE SYSTEM

WARNING! Before performing any maintenance, make sure the Main Power Switch is OFF and incoming power is locked OFF. The Hydraulic Unit is a component that works under pressure. Do not open any connection or carry out maintenance on components subject to pressure until all pressure has been bled to zero.

The hydraulic unit should be serviced yearly:

1. Completely drain the Tank of hydraulic fluid.
2. Clean the Tank Top to prevent foreign material from falling into the Tank when the Cover is removed.
3. Unscrew the Suction Pipe from its connection with the Hydraulic Pump.
4. Remove the Cover and Suction Pipe from the Hydraulic Tank. Take care not to damage Tank Cover Gasket.
5. Inspect the bottom of the Tank for sediment and clean as required. Clean the Suction Pipe and its connections.
6. Fill the Tank with 10 gal (37 L) of approved hydraulic fluid (See page 56 for recommendations).
7. Insert the Suction Pipe into the Tank Cover and install the Cover. Again, take care not to damage Tank Cover Gasket. Connect the Suction Pipe securely to the Hydraulic Pump.
8. Ensure the Hydraulic Pump Case is full of fluid and proceed with the normal operation.

13.4 METERING PUMP-LINE

WARNING! Before performing any maintenance, make sure the Main Power Switch is OFF and incoming power is locked OFF. Allow material temperature to cool below 80°F and bleed all material pressure to zero.

Weekly: When the Proportioning Pumps are functioning properly it is not unusual for a small amount of Poly (R) material to appear on the Pump Shaft. This material should be wiped away so dirt does not accumulate on the Pump Shaft and the Pump Shaft Packings are not damaged.

Yearly or as required: It is not unusual for those who use the PH Series Proportioner on a regular basis to rebuild the Proportioning Pumps on a yearly basis and service the Hydraulic Drive System (See page 51) at the same time, while the Proportioner is out of service.

13.5 PUMP BASE SERVICE

1. CLOSE appropriate Proportioner Inlet Material Supply Valve and remove Air Line from transfer pump.
2. Ensure all material pressure in the Proportioner system is zero and remove appropriate Retainer Nut.
3. For Inlet Ball:
 - Remove Inlet Ball with a magnet (DO NOT use any sharp object), clean Ball and Ball Seat, and inspect for foreign material and any damage on the Inlet Ball.
 - Using supplied Ball Seat Tool (TL-02), check for proper Ball Seat Gasket compression. Snug Seat up to 1/4 turn maximum 110ft-lbs (149Nm).
4. For Discharge Ball:
 - Remove Cage and Spring.
 - Remove Discharge Ball with a magnet (DO NOT use any sharp object), clean Ball and Ball Seat, and inspect for foreign material and any damage on the Discharge Ball.
 - Using supplied Ball Seat Tool (TL-02), check for proper Ball Seat Gasket compression. Snug Seat up to 1/4 turn maximum 30ft-lbs (41Nm).

13.6 PUMP SEAL REPLACEMENT

NOTE! Refer to Parts Identification for reference.

- When the Iso (A) Proportioning Pump Cylinder is disassembled for service, all parts included in the Pump Rebuild Kit (KT-07000, KT-07002, KT-07004, KT-07006) should be replaced.
- When the Poly (R) Proportioning Pump Cylinder is disassembled for service, all parts included in the Pump Rebuild Kit (KT-07001, KT-07003, KT-07005, KT-07007) should be replaced.
- When assembling Proportioning Pump lubricate all Seals, Piston Rod and Pump Cylinder with #1 Lithium Grease to assist in assembly and minimize Seal damage during re-assembly.
- When the Pump Line End Block is disassembled for service, all O-rings included in the O-ring Kit (KT-05009) should be replaced.
- After reassembly of the Proportioning Pumps torque the Assembly Bolts to 30ft-lbs (41Nm).

CAUTION! Use wooden or plastic tools or a brass brush for cleaning. Do not use metal or abrasive tools that can scratch the contact surfaces.

13.7 METERING PUMP REMOVAL

NOTE! When removing the Poly side pump, skip steps 3 and 4.

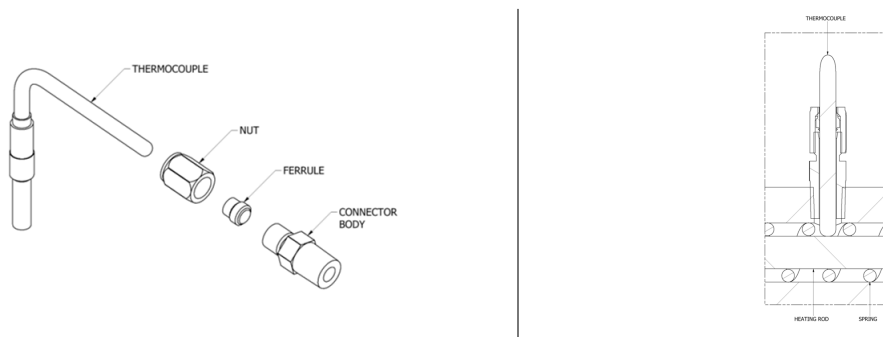
1. Put machine in retract position.
2. Turn off main power and discharge all pressure gauges to zero.
3. Disconnect the bottom elbow on the Iso lube cylinder and drain all Iso lube.
4. Disconnect the top hose going to Iso lube cylinder then uninstall red plug.
5. Remove clevis pin.
6. Disconnect the hose on the pump flange.
7. Disconnect the Y-strainer from elbow.
8. Carefully remove the four bolts and washers while holding the pump in place.

13.8 MATERIAL HEATER

WARNING! Before performing any maintenance, make sure the Main Power Switch is OFF and incoming power is locked OFF. NEVER access the inside of the Control Panel with the Proportioner power supply ON. The Heaters are components that reach high temperatures; you must wait until they have cooled before handling and bleed all material pressure to zero.

13.8.1 THERMOCOUPLE REPLACEMENT

NOTE! The Thermocouple is assembled into the Connector Body with a Ferrule and Nut. Once inserted into the Body and the Nut is tightened, the Ferrule locks to the Thermocouple and does not allow it to be relocated or moved. The location of the Thermocouple is very important and must be done correctly before tightening the Nut.



1. Unscrew the Nut that holds the defective Thermocouple and remove from the Body. Disconnect Thermocouple wiring located under the Top Cover of the Heater. Remove Body and discard.
2. Install Heating Element and Spring if also removed.
3. Install Connector Body into Heater using an open-end wrench and tighten to prevent leakage. Teflon Tape or appropriate Thread Sealant should be used.
4. Slide the Nut and the Ferrule over the Thermocouple and insert this assembly into the Connector Body until it comes into **positive physical contact** with the Heating Rod. Make sure the Spring does not prevent the Thermocouple from making contact with the Heating Rod.
5. Slowly tighten the Nut using an open-end wrench, ensuring the Thermocouple maintains positive physical contact with the Heating Rod.
6. Reinstall the Thermocouple wires.

WARNING! Before performing any maintenance, make sure the Main Power Switch is OFF and incoming power is locked OFF. NEVER access the inside of the Control Panel with the Proportioner power supply ON. The Heaters are components that reach high temperatures; you must wait until they have cooled before handling and bleed all material pressure to zero.

To replace a defect Heating Rod, proceed as follows:

1. Ensure Main Power Switch is OFF and incoming power is locked OFF. Depressurize proportioner and remove the Cover on Heater.

WARNING! If the Heating Rod to be replaced is the one in contact with the Thermocouple, it is necessary to remove the Thermocouple first. Do not loosen or tighten Thermocouple Body.

2. Disconnect the suspect Heating Rod from the wire connections and test the Heating Rod again for proper electrical resistance.

| Heating Rod | Ohm Measurement per Rod | Total Ohm Measurement per Fluid Side |
|-------------|-------------------------|--------------------------------------|
| 1250 WATT | 39.0 Ω | 13.0 Ω |
| 1500 WATT | 32.4 Ω | 10.8 Ω |
| 1750 WATT | 27.5 Ω | 9.2 Ω |

3. Unscrew the Heating Rod and remove from the Heater Block along with its Spring and inspect; it must be smooth and shiny in appearance. If it is blackened or has material adhered to it replace the Heating Rod, even if ohm reading is acceptable.
4. Apply Teflon Tape or appropriate Thread Sealant to the Heating Rod thread and assemble Heating Rod and Spring into the Heater Block. Tighten securely to 110 ft/lbs (150 Nm).
5. If necessary carefully re-install Thermocouple ensuring positive physical contact with the Heating Rod. Make sure the Spring does not prevent the Thermocouple from making contact with the Heating Rod. Tighten Nut with open-end wrench.
6. Reconnect wire connections and replace Cover.
7. Ensure Heater is full of material prior to electrical testing.

14 HYDRAULIC OIL SPECIFICATIONS

Recommended Hydraulic Oil Specification:

ISO/ASTM Viscosity Grade 32

Viscosity:

28.8 – 35.2 SSU at 104°F Rust and Oxidation Inhibited

14.1 MANUFACTURERS

- Mobil DTE24 (Recommended)
- Cook's Albavis 8
- Ashland - Valvoline AW15
- Shell – Tellus 32(25)
- Sun Oil - Sunvis 706
- Chevron ISO32
- American Oil & Supply – PQ Iso 32
- Gulf Oil – Harmony 32AW (43AW)
- Atlantic Richfield – Duro AWS-150
- BP Oil – Energol HLP-C32
- Exxon – Nuto H-32(44)
- Margolis – T.I.P.100-15-7
- Fiske Bros. – Lubriplate Hyd. #0
- SW – Alemite Hydraulic HD #0
- Texaco – Rando HD32 (HD A0)
- White & Bagley – EP Hyd. 150

15 PARTS IDENTIFICATION

15.1 HYDRAULIC SEAL ASSEMBLY

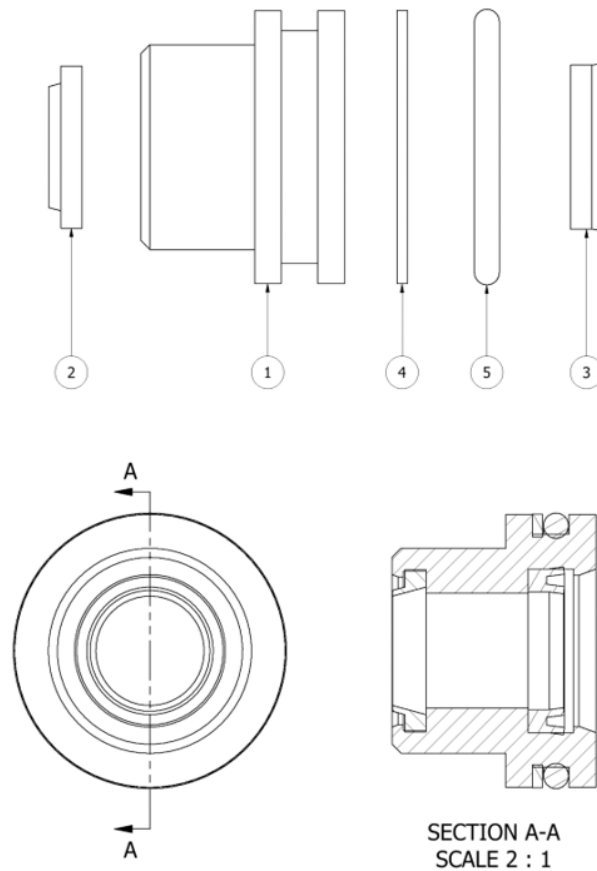
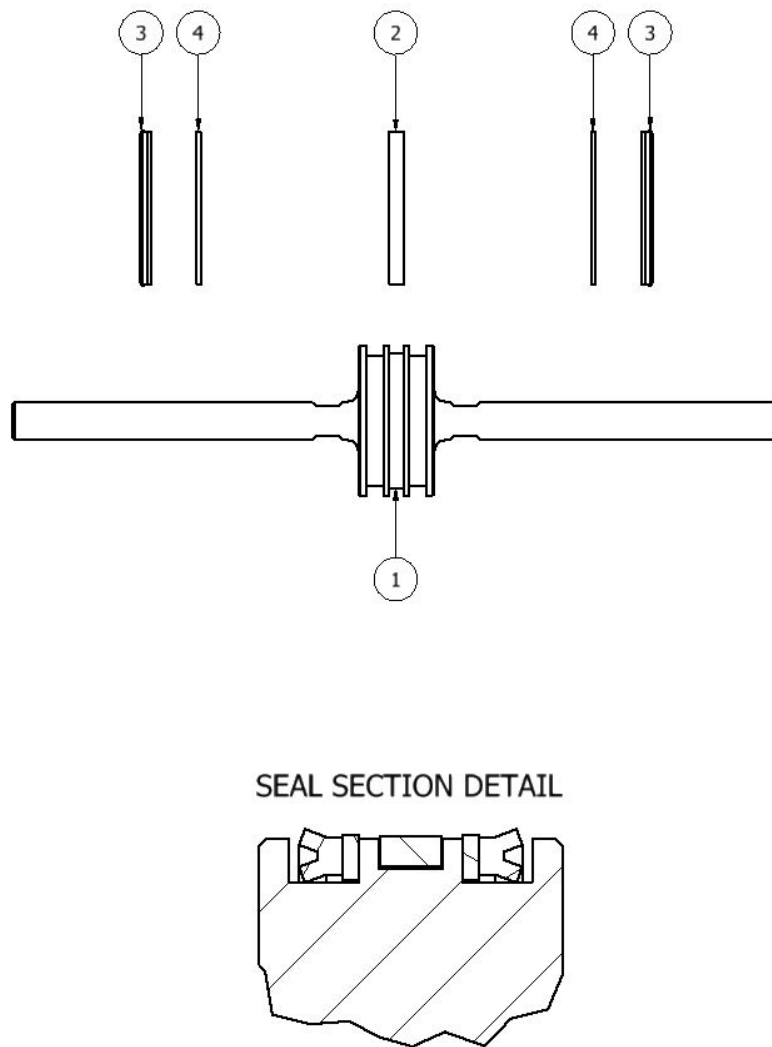


Figure 11: Hydraulic Seal Assembly

| HYDRAULIC SEAL ASSEMBLY | | | |
|-------------------------|-----|-------------|-------------------------------|
| ITEM | QTY | PART NUMBER | DESCRIPTION |
| 1 | 1 | HI-05025-13 | BUSHING, ROD |
| 2 | 1 | HI-05025-4 | WIPER, ROD |
| 3 | 1 | HI-05025-5 | SHAFT SEAL |
| 4 | 1 | HI-05025-6 | BACK UP RING, BUSHING |
| 5 | 1 | OR-00039A | O-RING -218, HYD CYLINDER ROD |

Hydraulic Cylinder Rebuild Kit is on page 61

15.2 HYDRAULIC PISTON ASSEMBLY



SEAL SECTION DETAIL

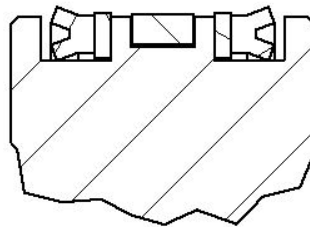


Figure 12: Hydraulic Piston Assembly

| HYDRAULIC PISTON ASSEMBLY | | | |
|---------------------------|-----|-------------|----------------------|
| ITEM | QTY | PART NUMBER | DESCRIPTION |
| 1 | 1 | HI-05025-7 | HYDRAULIC PISTON |
| 2 | 1 | HI-05025-3 | WEAR RING |
| 3 | 2 | HI-05025-1 | U-CUP |
| 4 | 2 | HI-05025-2 | BACK-UP RING, PISTON |

15.3 HYDRAULIC CYLINDER ASSEMBLY

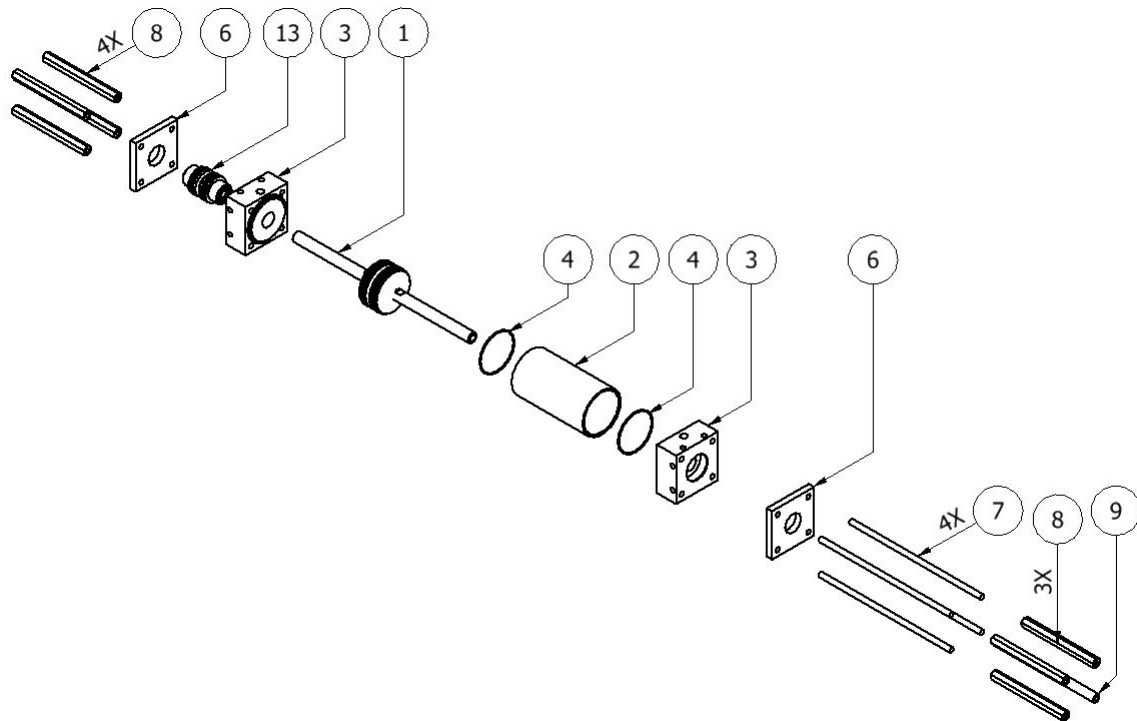


Figure 13: Hydraulic Cylinder Assembly (HI-05025A)

| HYDRAULIC CYLINDER ASSEMBLY (HI-05025A) | | | |
|---|-----|-------------|---|
| ITEM | QTY | PART NUMBER | DESCRIPTION |
| 1 | 1 | - | HYDRAULIC PISTON ASSEMBLY (SEE PAGE 58) |
| 2 | 1 | HI-05025-8 | HYDRAULIC CYLINDER |
| 3 | 2 | HI-05025-9 | PORT BLOCK, HYDRAULIC |
| 4 | 2 | OR-00040A | O-RING -036, VITON |
| 5 | 2 | - | HYDRAULIC SEAL ASSEMBLY (SEE PAGE 57) |
| 6 | 2 | HI-05025-10 | RETAINER FLANGE |
| 7 | 4 | HI-05025-14 | TIE ROD; 5/16-24 |
| 8 | 7 | HI-05025-11 | HYDRAULIC STANDOFF |
| 9 | 1 | HI-05025-12 | REVERSING SWITCH STANDOFF |

15.4 COMPLETE HYDRAULIC CYLINDER ASSEMBLY

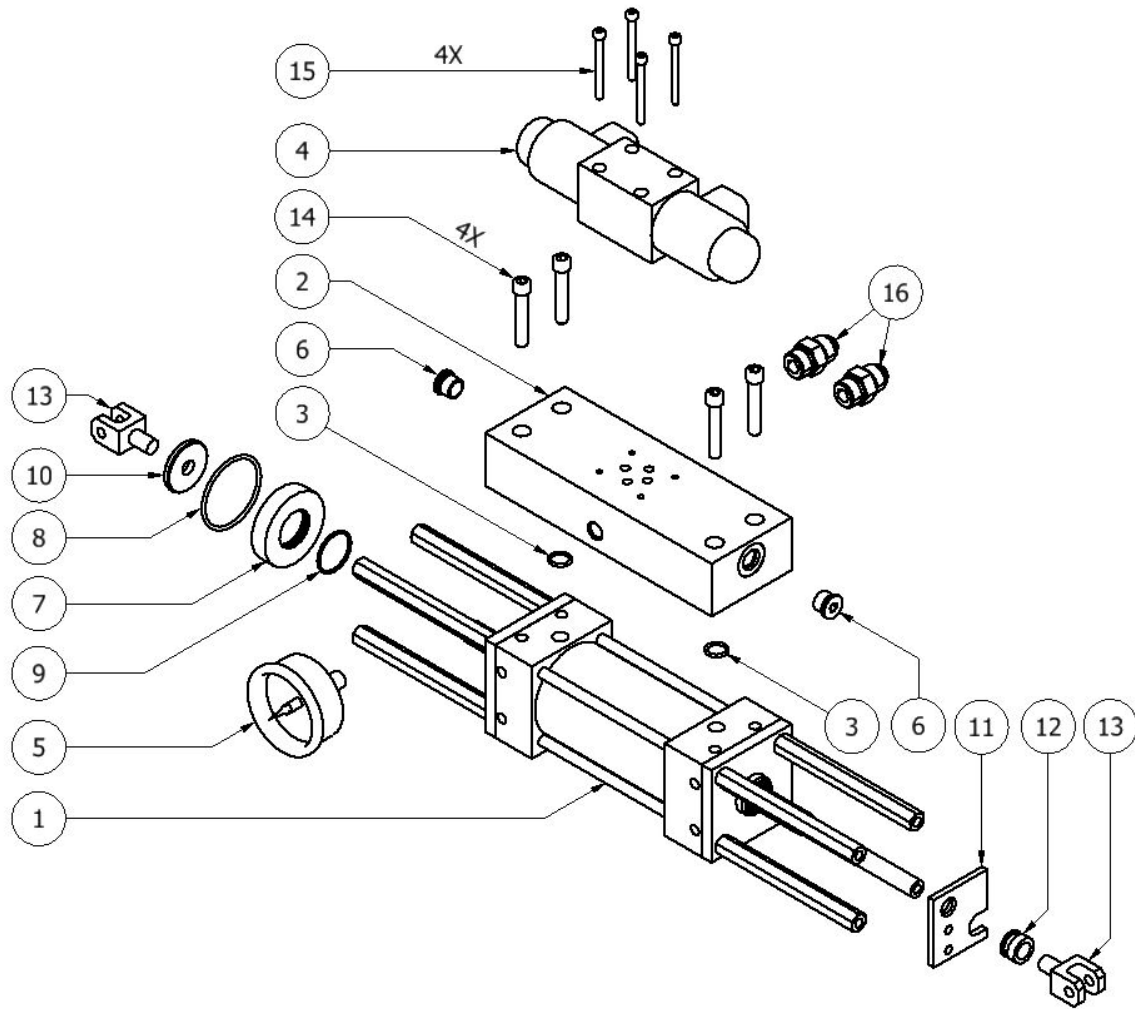


Figure 14: Complete Hydraulic Cylinder Assembly (HI-01)

| COMPLETE HYDRAULIC CYLINDER ASSEMBLY (HI-01) | | | |
|---|------------|--------------------|---|
| ITEM | QTY | PART NUMBER | DESCRIPTION |
| 1 | 1 | HI-05025A | HYDRAULIC PISTON ASSEMBLY (SEE PAGE 59) |
| 2 | 1 | HI-05070 | HYDRAULIC MANIFOLD; CLASSIC |
| 3 | 2 | OR-00038A | O-RING |
| 4 | 1 | HI-05003 | DIRECTIONAL VALVE |
| 5 | 1 | HI-05040 | PRESS GAUGE 0-2000 PSI |
| 6 | 2 | HI-05070-4 | 6 ORB PLUG |
| 7 | 1 | PU-05004 | END CAP, CYLINDER |
| 8 | 1 | OR-00020A | O-RING -036, LUBE CYLINDER |
| 9 | 1 | OR-00044A | O-RING -024, LUBE CYLINDER |
| 10 | 1 | PU-05005 | BAFFLE |
| 11 | 1 | PU-05009 | PLATE, REVERSING SWITCH |
| 12 | 1 | PU-05010 | BUSHING |
| 13 | 2 | PU-05006 | CLEVIS, HYDRAULIC |
| 14 | 4 | 202171 | SHCS, 5/16-18 X 1.750, 18-8 SS |
| 15 | 4 | 202203 | SHCS, #10-24 X 2.000, 18-8 SS |
| 16 | 2 | HI-05012 | 3/4-16 ORB X 3/4-16 JIC |

15.4.1 HYDRAULIC CYLINDER REBUILD KIT

| HYDRAULIC CYLINDER REBUILD KIT (KT-05025) | | |
|--|--------------------|-------------------------------|
| QTY | PART NUMBER | DESCRIPTION |
| 2 | HI-05025-1 | U CUP |
| 2 | HI-05025-2 | BACK-UP RING, PISTON |
| 1 | HI-05025-3 | WEAR RING |
| 2 | HI-05025-4 | WIPER, ROD |
| 2 | HI-05025-5 | SHAFT SEAL |
| 2 | HI-05025-6 | BACK-UP RING, BUSHING |
| 2 | OR-00038A | O-RING |
| 2 | OR-00039A | O-RING -218, HYD CYLINDER ROD |
| 2 | OR-00040A | O-RING -036, HYD CYLINDER |

15.5 "R" PUMP ASSEMBLY

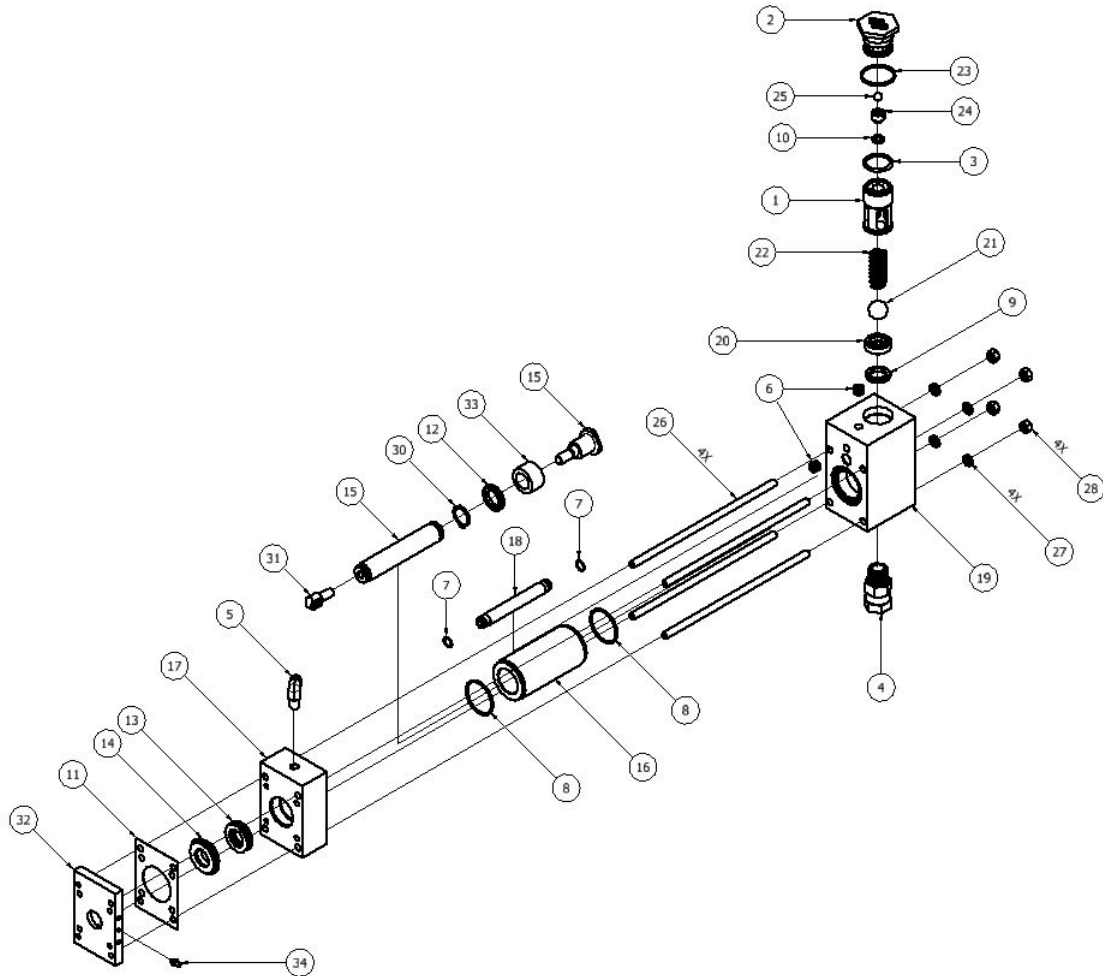


Figure 15: "R" Pump Assembly (PU-05002-XXX)

| ”R” PUMP ASSEMBLY | | | |
|---|------------|--------------------|---------------------------------|
| (PU-05002-40)/(PU-05002-60)/(PU-05002-80)/(PU-05002-120) | | | |
| ITEM | QTY | PART NUMBER | DESCRIPTION |
| 1 | 1 | 202220 | SLEEVE, PUMP BASE |
| 2 | 1 | 202221 | RETAINING NUT, PUMP BASE |
| 3 | 1 | 202228 | O-RING -218, TEFLON, 55D |
| 4 | 1 | HI-05016 | 3/4 NPTM X 3/4 NPTF SW |
| 5 | 1 | HI-05038 | 1/4 NPT X 9/16-18 JIC 90 DEG |
| 6 | 2 | HI-05067 | PIPE PLUG 1/4-18, 7/8 TAPER |
| 7 | 2 | OR-00011A | O-RING -014, CROSSOVER TUBE |
| 8 | 2 | OR-00046A | O-RING -133, VITON, 90D |
| 9 | 1 | PU-01003-DG | GASKET, INLET BALL SEAT |
| 10 | 1 | PU-01003-IG | GASKET, DISCHARGE BALL SEAT |
| 11 | 1 | PU-01013A | GASKET, CYLINDER FLANGE |
| 12 | 1 | PU-01016A-004 | PISTON SEAL, 40 PUMP |
| | 1 | PU-01016A-006 | PISTON SEAL, 60 PUMP |
| | 1 | PU-01016A-008 | PISTON SEAL, 80 PUMP |
| | 1 | PU-01016A-012 | PISTON SEAL, 120 PUMP |
| 13 | 1 | PU-03003 | TRIPLE LIP SEAL, 40 PUMP |
| | 1 | PU-03002 | TRIPLE LIP SEAL, 60 PUMP |
| | 1 | PU-03001 | TRIPLE LIP SEAL, 80 PUMP |
| | 1 | PU-03000 | TRIPLE LIP SEAL, 120 PUMP |
| 14 | 1 | PU-03013 | SHAFT BEARING, 40 PUMP, R SIDE |
| | 1 | PU-03012 | SHAFT BEARING, 60 PUMP, R SIDE |
| | 1 | PU-03011 | SHAFT BEARING, 80 PUMP, R SIDE |
| | 1 | PU-03010 | SHAFT BEARING, 120 PUMP, R SIDE |
| 15 | 1 | PU-05011-40 | PUMP SHAFT ASSY, 40 PUMP |
| | 1 | PU-05011-60 | PUMP SHAFT ASSY, 60 PUMP |
| | 1 | PU-05011-80 | PUMP SHAFT ASSY, 80 PUMP |
| | 1 | PU-05011 | PUMP SHAFT ASSY, 120 PUMP |
| 16* | 1 | PU-05012-40 | CYLINDER, 40 PUMP |
| | 1 | PU-05012-60 | CYLINDER, 60 PUMP |
| | 1 | PU-05012-80 | CYLINDER, 80 PUMP |
| | 1 | PU-05012 | CYLINDER, 120 PUMP |
| 17 | 1 | PU-05014-40 | FLANGE, 40 PUMP |
| | 1 | PU-05014-60 | FLANGE, 60 PUMP |
| | 1 | PU-05014-80 | FLANGE, 80 PUMP |
| | 1 | PU-05014 | FLANGE, 120 PUMP |

| ITEM | QTY | PART NUMBER | DESCRIPTION |
|------|-----|-------------|------------------------------------|
| 18 | 1 | PU-05017 | CROSSOVER TUBE |
| 19 | 1 | PU-05018 | PUMP BASE |
| 20 | 1 | PU-05019 | SEAT, INLET |
| 21 | 1 | PU-05020 | BALL, INLET |
| 22 | 1 | PU-05021 | SPRING |
| 23 | 1 | PU-05023-1 | GASKET, PUMP RETAINER NUT |
| 24 | 1 | PU-05024 | SEAT, DISCHARGE |
| 25 | 1 | PU-05025 | BALL, DISCHARGE |
| 26 | 4 | PU-05026 | TIE ROD, 3/8-24 |
| 27 | 4 | PU-05027 | WASHER |
| 28 | 4 | PU-05028 | NUT |
| 29 | 1 | PU-05029-40 | PIN, 40 PUMP |
| | 1 | PU-05029-60 | PIN, 60 PUMP |
| | 1 | PU-05029-80 | PIN, 80 PUMP |
| | 1 | PU-05029 | PIN, 120 PUMP |
| 30 | 1 | PU-05030-40 | SNAP RING, 40 PUMP |
| | 1 | PU-05030-60 | SNAP RING, 60 PUMP |
| | 1 | PU-05030-80 | SNAP RING, 80 PUMP |
| | 1 | PU-05030 | SNAP RING, 120 PUMP |
| 31 | 1 | PU-05031-40 | CLEVIS, PISTON, 40 PUMP |
| | 1 | PU-05031-60 | CLEVIS, PISTON, 60 PUMP |
| | 1 | PU-05031-80 | CLEVIS, PISTON, 80 PUMP |
| | 1 | PU-05031 | CLEVIS, PISTON, 120 PUMP |
| 32 | 1 | PU-05032-40 | FLANGE, PACKING RETAINER, 40 PUMP |
| | 1 | PU-05032-60 | FLANGE, PACKING RETAINER, 60 PUMP |
| | 1 | PU-05032-80 | FLANGE, PACKING RETAINER, 80 PUMP |
| | 1 | PU-05032 | FLANGE, PACKING RETAINER, 120 PUMP |
| 33 | 1 | PU-05044 | BEARING, PISTON, 40 PUMP |
| | 1 | PU-05043 | BEARING, PISTON, 60 PUMP |
| | 1 | PU-05042 | BEARING, PISTON, 80 PUMP |
| | 1 | PU-05041 | BEARING, PISTON, 120 PUMP |
| 34 | 1 | TN-04186 | GREASE FITTING |

15.5.1 "R" PUMP REBUILD KITS

| 40 "R" PUMP REBUILD KIT (KT-07007) | | |
|---|--------------------|-----------------------------|
| QTY | PART NUMBER | DESCRIPTION |
| 1 | KT-01016A-004 | PISTON SEAL, 40 PUMP |
| 2 | OR-00011A | O-RING, 12X12MM ID |
| 2 | OR-00046A | O-RING -133, VITON, 90D |
| 1 | OR-00051B | O-RING -218, AFLAS, 80D |
| 1 | PU-01013A | GASKET, CYLINDER FLANGE |
| 1 | PU-05029-40 | PIN, 40 PUMP |
| 1 | PU-03013 | SHAFT BEARING, 40 PUMP |
| 1 | PU-05044 | PISTON BEARING, 40 PUMP |
| 1 | PU-03003 | TRIPLE LIP SEAL, 40 PUMP |
| 1 | PU-03023 | BULLET, 40 PUMP |
| 2 | TN-04199 | SHCS, 3/8-24 X 2.50 |
| 2 | OR-00045A | O-RING -028, VITON, 90D |
| 1 | PU-01003-IG | GASKET, DISCHARGE BALL SEAT |
| 1 | PU-01003-DG | GASKET, INLET BALL SEAT |
| 1 | PU-05023-1 | GASKET, PUMP RETAINER NUT |

| 60 "R" PUMP REBUILD KIT (KT-07005) | | |
|---|--------------------|--------------------------|
| QTY | PART NUMBER | DESCRIPTION |
| 1 | PU-01016A-006 | PISTON SEAL, 60 PUMP |
| 2 | OR-00011A | O-RING, 12X12MM ID |
| 2 | OR-00046A | O-RING -133, VITON, 90D |
| 1 | OR-00051B | O-RING -218, AFLAS, 80D |
| 1 | PU-01013A | GASKET, CYLINDER FLANGE |
| 1 | PU-05029-60 | PIN, 60 PUMP |
| 1 | PU-03012 | SHAFT BEARING, 60 PUMP |
| 1 | PU-05043 | PISTON BEARING, 60 PUMP |
| 1 | PU-03002 | TRIPLE LIP SEAL, 60 PUMP |
| 1 | PU-03022 | BULLET, 60 PUMP |
| 2 | TN-04199 | SHCS, 3/8-24 X 2.50 |
| 2 | OR-00045A | O-RING -028, VITON, 90D |

| 80 "R" PUMP REBUILD KIT (KT-07003) | | |
|---|--------------------|-----------------------------|
| QTY | PART NUMBER | DESCRIPTION |
| 1 | PU-01016A-008 | PISTON SEAL, 80 PUMP |
| 2 | OR-00011A | O-RING, 12X12MM ID |
| 2 | OR-00046A | O-RING -133, VITON, 90D |
| 1 | OR-00051B | O-RING -218, AFLAS, 80D |
| 1 | PU-01013A | GASKET, CYLINDER FLANGE |
| 1 | PU-05029-80 | PIN, 80 PUMP |
| 1 | PU-03011 | SHAFT BEARING, 80 PUMP |
| 1 | PU-05042 | PISTON BEARING, 80 PUMP |
| 1 | PU-03001 | TRIPLE LIP SEAL, 80 PUMP |
| 1 | PU-03020 | BULLET, 80 PUMP |
| 2 | TN-04199 | SHCS, 3/8-24 X 2.50 |
| 2 | OR-00045A | O-RING -028, VITON, 90D |
| 1 | PU-01003-IG | GASKET, DISCHARGE BALL SEAT |
| 1 | PU-01003-DG | GASKET, INLET BALL SEAT |
| 1 | PU-05023-1 | GASKET, PUMP RETAINER NUT |
| 1 | PU-05030-80 | SNAP RING, 80 PUMP |

| 120 "R" PUMP REBUILD KIT (KT-07001) | | |
|--|--------------------|-----------------------------|
| QTY | PART NUMBER | DESCRIPTION |
| 1 | KT-01016A-012 | PISTON SEAL, 120 PUMP |
| 2 | OR-00011A | O-RING, 12X12MM ID |
| 2 | OR-00046A | O-RING -133, VITON, 90D |
| 1 | OR-00051B | O-RING -218, AFLAS, 80D |
| 1 | PU-01013A | GASKET, CYLINDER FLANGE |
| 1 | PU-05029 | PIN, 120 PUMP |
| 1 | PU-03010 | SHAFT BEARING, 120 PUMP |
| 1 | PU-05041 | PISTON BEARING, 120 PUMP |
| 1 | PU-03000 | TRIPLE LIP SEAL, 120 PUMP |
| 1 | PU-03019 | BULLET, 120 PUMP |
| 2 | TN-04199 | SHCS, 3/8-24 X 2.50 |
| 2 | OR-00045A | O-RING -028, VITON, 90D |
| 1 | PU-01003-IG | GASKET, DISCHARGE BALL SEAT |
| 1 | PU-01003-DG | GASKET, INLET BALL SEAT |
| 1 | PU-05023-1 | GASKET, PUMP RETAINER NUT |
| 1 | PU-05030 | SNAP RING, 120 PUMP |

15.6 "A" PUMP ASSEMBLY

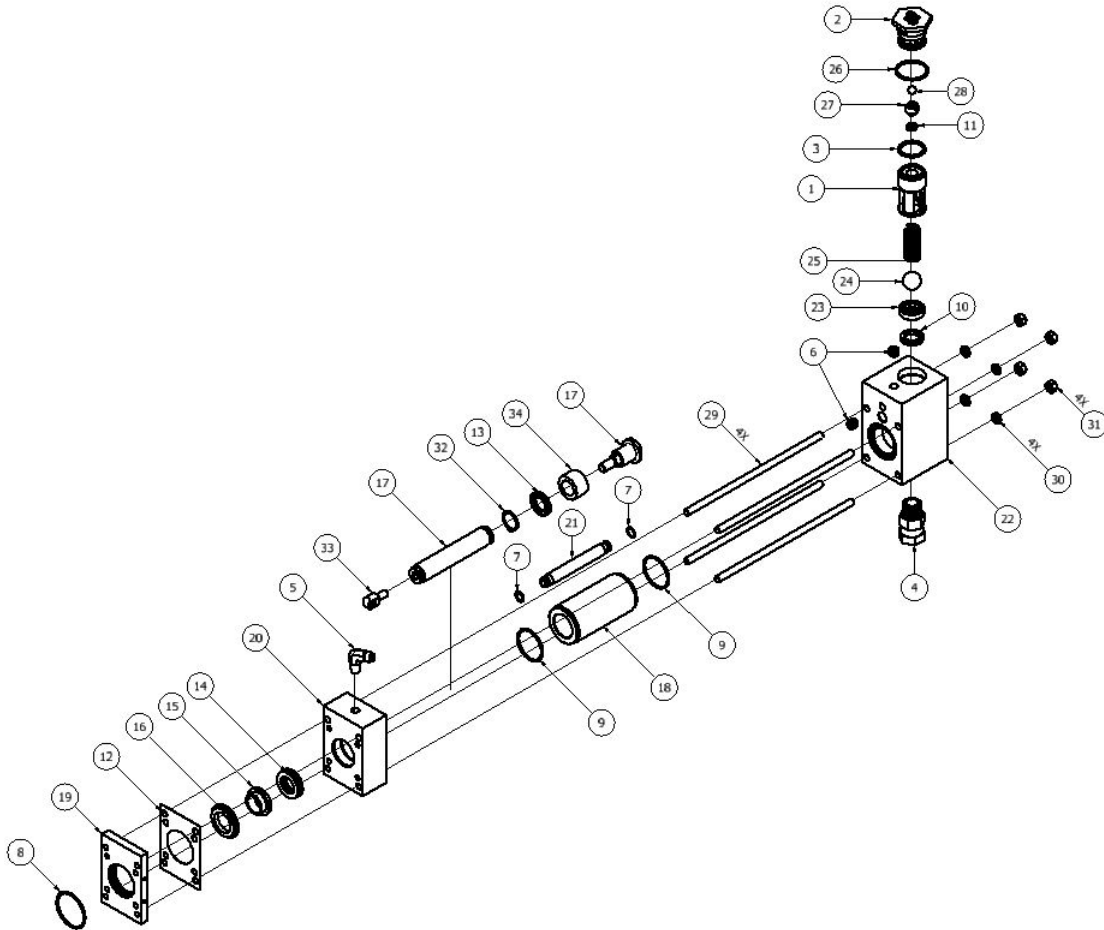


Figure 16: "A" Pump Assembly (PU-05001-XXX)

| ”A” PUMP ASSEMBLY | | | |
|---|------------|--------------------|----------------------------------|
| (PU-05001-40)/(PU-05001-60)/(PU-05001-80)/(PU-05001-120) | | | |
| ITEM | QTY | PART NUMBER | DESCRIPTION |
| 1 | 1 | 202220 | SLEEVE, PUMP BASE |
| 2 | 1 | 202221 | RETAINING NUT, PUMP BASE |
| 3 | 1 | 202228 | O-RING -218, TEFLON, 55D |
| 4 | 1 | HI-05016 | 3/4 NPTM X 3/4 NPTF SW |
| 5 | 1 | HI-05038 | 1/4 NPT X 9/16-18 JIC 90 DEG |
| 6 | 2 | HI-05067 | PIPE PLUG 1/4-18, 7/8 TAPER |
| 7 | 2 | OR-00011A | O-RING -014, CROSSOVER TUBE |
| 8 | 1 | OR-00020A | O-RING -136, VITON |
| 9 | 2 | OR-00046A | O-RING -133, VITON, 90D |
| 10 | 1 | PU-01003-DG | GASKET, INLET BALL SEAT |
| 11 | 1 | PU-01003-IG | GASKET, DISCHARGE BALL SEAT |
| 12 | 1 | PU-01013A | GASKET, CYLINDER FLANGE |
| 13 | 1 | PU-01016A-004 | PISTON SEAL, 40 PUMP |
| | 1 | PU-01016A-006 | PISTON SEAL, 60 PUMP |
| | 1 | PU-01016A-008 | PISTON SEAL, 80 PUMP |
| | 1 | PU-01016A-012 | PISTON SEAL, 120 PUMP |
| 14 | 1 | PU-03003 | TRIPLE LIP SEAL, 40 PUMP |
| | 1 | PU-03002 | TRIPLE LIP SEAL, 60 PUMP |
| | 1 | PU-03001 | TRIPLE LIP SEAL, 80 PUMP |
| | 1 | PU-03000 | TRIPLE LIP SEAL, 120 PUMP |
| 15 | 1 | PU-03008 | SHAFT BEARING, 40 PUMP, A SIDE |
| | 1 | PU-03007 | SHAFT BEARING, 60 PUMP, A SIDE |
| | 1 | PU-03006 | SHAFT BEARING, 80 PUMP, A SIDE |
| | 1 | PU-03005 | SHAFT BEARING, 120 PUMP, A SIDE |
| 16 | 1 | PU-03017 | RETAINING RING, 40 PUMP, A SIDE |
| | 1 | PU-03016 | RETAINING RING, 60 PUMP, A SIDE |
| | 1 | PU-03016 | RETAINING RING, 80 PUMP, A SIDE |
| | 1 | PU-03015 | RETAINING RING, 120 PUMP, A SIDE |
| 17 | 1 | PU-05011-40 | PUMP SHAFT ASSY, 40 PUMP |
| | 1 | PU-05011-60 | PUMP SHAFT ASSY, 60 PUMP |
| | 1 | PU-05011-80 | PUMP SHAFT ASSY, 80 PUMP |
| | 1 | PU-05011 | PUMP SHAFT ASSY, 120 PUMP |

| ITEM | QTY | PART NUMBER | DESCRIPTION |
|------|-----|-------------|----------------------------------|
| 18 | 1 | PU-05012-40 | CYLINDER, 40 PUMP |
| | 1 | PU-05012-60 | CYLINDER, 60 PUMP |
| | 1 | PU-05012-80 | CYLINDER, 80 PUMP |
| | 1 | PU-05012 | CYLINDER, 120 PUMP |
| 19 | 1 | PU-05013 | FLANGE, PACKING RETAINER, A SIDE |
| 20 | 1 | PU-05014-40 | FLANGE, 40 PUMP |
| | 1 | PU-05014-60 | FLANGE, 60 PUMP |
| | 1 | PU-05014-80 | FLANGE, 80 PUMP |
| | 1 | PU-05014 | FLANGE, 120 PUMP |
| 21 | 1 | PU-05017 | CROSSOVER TUBE |
| 22 | 1 | PU-05018 | PUMP BASE |
| 23 | 1 | PU-05019 | SEAT, INLET |
| 24 | 1 | PU-05020 | BALL, INLET |
| 25 | 1 | PU-05021 | SPRING |
| 26 | 1 | PU-05023-1 | GASKET, PUMP RETAINER NUT |
| 27 | 1 | PU-05024 | SEAT, DISCHARGE |
| 28 | 1 | PU-05025 | BALL, DISCHARGE |
| 29 | 4 | PU-05026 | TIE ROD, 3/8-24 |
| 30 | 4 | PU-05027 | WASHER |
| 31 | 4 | PU-05028 | NUT |
| 32 | 1 | PU-05030-40 | SNAP RING, 40 PUMP |
| | 1 | PU-05030-60 | SNAP RING, 60 PUMP |
| | 1 | PU-05030-80 | SNAP RING, 80 PUMP |
| | 1 | PU-05030 | SNAP RING, 120 PUMP |
| 33 | 1 | PU-05031-40 | CLEVIS, PISTON, 40 PUMP |
| | 1 | PU-05031-60 | CLEVIS, PISTON, 60 PUMP |
| | 1 | PU-05031-80 | CLEVIS, PISTON, 80 PUMP |
| | 1 | PU-05031 | CLEVIS, PISTON, 120 PUMP |
| 34 | 1 | PU-05044 | BEARING, PISTON, 40 PUMP |
| | 1 | PU-05043 | BEARING, PISTON, 60 PUMP |
| | 1 | PU-05042 | BEARING, PISTON, 80 PUMP |
| | 1 | PU-05041 | BEARING, PISTON, 120 PUMP |

15.6.1 "A" PUMP REBUILD KITS

| 40 "A" PUMP REBUILD KIT (KT-07006) | | |
|---|--------------------|---------------------------------|
| QTY | PART NUMBER | DESCRIPTION |
| 1 | KT-01016A-004 | PISTON SEAL, 40 PUMP |
| 2 | OR-00011A | O-RING, 12X12MM ID |
| 2 | OR-00046A | O-RING -133, VITON, 90D |
| 1 | OR-00051B | O-RING -218, AFLAS, 80D |
| 1 | PU-01013A | GASKET, CYLINDER FLANGE |
| 1 | PU-05029-40 | PIN, 40 PUMP |
| 1 | PU-03008 | SHAFT BEARING, 40 PUMP |
| 1 | PU-05044 | PISTON BEARING, 40 PUMP |
| 1 | PU-03003 | TRIPLE LIP SEAL, 40 PUMP |
| 1 | PU-03023 | BULLET, 40 PUMP |
| 2 | TN-04199 | SHCS, 3/8-24 X 2.50 |
| 2 | OR-00045A | O-RING -028, VITON, 90D |
| 1 | PU-01003-IG | GASKET, DISCHARGE BALL SEAT |
| 1 | PU-01003-DG | GASKET, INLET BALL SEAT |
| 1 | PU-05023-1 | GASKET, PUMP RETAINER NUT |
| 1 | PU-03017 | RETAINING RING, 40 PUMP, A SIDE |
| 2 | OR-00020A | O-RING -136, VITON |
| 1 | OR-00044A | O-RING -024 |
| 1 | PU-03021 | SEAL TOOL, A SIDE |
| 1 | RA-00065A | PLUG, PUMP CYLINDER |

| 60 "A" PUMP REBUILD KIT (KT-07004) | | |
|---|--------------------|---------------------------------|
| QTY | PART NUMBER | DESCRIPTION |
| 1 | KT-01016A-006 | PISTON SEAL, 60 PUMP |
| 2 | OR-00011A | O-RING, 12X12MM ID |
| 2 | OR-00046A | O-RING -133, VITON, 90D |
| 1 | OR-00051B | O-RING -218, AFLAS, 80D |
| 1 | PU-01013A | GASKET, CYLINDER FLANGE |
| 1 | PU-05029-60 | PIN, 60 PUMP |
| 1 | PU-03007 | SHAFT BEARING, 60 PUMP |
| 1 | PU-05044 | PISTON BEARING, 40 PUMP |
| 1 | PU-03003 | TRIPLE LIP SEAL, 40 PUMP |
| 1 | PU-03023 | BULLET, 40 PUMP |
| 2 | TN-04199 | SHCS, 3/8-24 X 2.50 |
| 2 | OR-00045A | O-RING -028, VITON, 90D |
| 1 | PU-01003-IG | GASKET, DISCHARGE BALL SEAT |
| 1 | PU-01003-DG | GASKET, INLET BALL SEAT |
| 1 | PU-05023-1 | GASKET, PUMP RETAINER NUT |
| 1 | PU-03016 | RETAINING RING, 80 PUMP, A SIDE |
| 2 | OR-00020A | O-RING -136, VITON |
| 1 | OR-00044A | O-RING -024 |
| 1 | PU-03021 | SEAL TOOL, A SIDE |
| 1 | RA-00065A | PLUG, PUMP CYLINDER |

| 80 "A" PUMP REBUILD KIT (KT-07002) | | |
|---|--------------------|---------------------------------|
| QTY | PART NUMBER | DESCRIPTION |
| 1 | KT-01016A-008 | PISTON SEAL, 80 PUMP |
| 2 | OR-00011A | O-RING, 12X12MM ID |
| 2 | OR-00046A | O-RING -133, VITON, 90D |
| 1 | OR-00051B | O-RING -218, AFLAS, 80D |
| 1 | PU-01013A | GASKET, CYLINDER FLANGE |
| 1 | PU-05029-80 | PIN, 80 PUMP |
| 1 | PU-03006 | SHAFT BEARING, 60 PUMP |
| 1 | PU-05042 | PISTON BEARING, 80 PUMP |
| 1 | PU-03001 | TRIPLE LIP SEAL, 80 PUMP |
| 1 | PU-03020 | BULLET, 80 PUMP |
| 2 | TN-04199 | SHCS, 3/8-24 X 2.50 |
| 2 | OR-00045A | O-RING -028, VITON, 90D |
| 1 | PU-01003-IG | GASKET, DISCHARGE BALL SEAT |
| 1 | PU-01003-DG | GASKET, INLET BALL SEAT |
| 1 | PU-05023-1 | GASKET, PUMP RETAINER NUT |
| 1 | PU-03016 | RETAINING RING, 80 PUMP, A SIDE |
| 2 | OR-00020A | O-RING -136, VITON |
| 1 | OR-00044A | O-RING -024 |
| 1 | PU-03021 | SEAL TOOL, A SIDE |
| 1 | RA-00065A | PLUG, PUMP CYLINDER |
| 1 | PU-05030-80 | SNAP RING, 80 PUMP |

| 120 "A" PUMP REBUILD KIT (KT-07000) | | |
|--|--------------------|---------------------------------|
| QTY | PART NUMBER | DESCRIPTION |
| 1 | KT-01016A-012 | PISTON SEAL, 120 PUMP |
| 2 | OR-00011A | O-RING, 12X12MM ID |
| 2 | OR-00046A | O-RING -133, VITON, 90D |
| 1 | OR-00051B | O-RING -218, AFLAS, 80D |
| 1 | PU-01013A | GASKET, CYLINDER FLANGE |
| 1 | PU-05029 | PIN, 120 PUMP |
| 1 | PU-03005 | SHAFT BEARING, 120 PUMP |
| 1 | PU-05041 | PISTON BEARING, 120 PUMP |
| 1 | PU-03000 | TRIPLE LIP SEAL, 120 PUMP |
| 1 | PU-03019 | BULLET, 120 PUMP |
| 2 | TN-04199 | SHCS, 3/8-24 X 2.50 |
| 2 | OR-00045A | O-RING -028, VITON, 90D |
| 1 | PU-01003-IG | GASKET, DISCHARGE BALL SEAT |
| 1 | PU-01003-DG | GASKET, INLET BALL SEAT |
| 1 | PU-05023-1 | GASKET, PUMP RETAINER NUT |
| 1 | PU-03017 | RETAINING RING, 40 PUMP, A SIDE |
| 2 | OR-00020A | O-RING -136, VITON |
| 1 | OR-00044A | O-RING -024 |
| 1 | PU-03021 | SEAL TOOL, A SIDE |
| 1 | RA-00065A | PLUG, PUMP CYLINDER |
| 1 | PU-05030 | SNAP RING, 120 PUMP |

15.7 PUMP-LINE ASSEMBLY

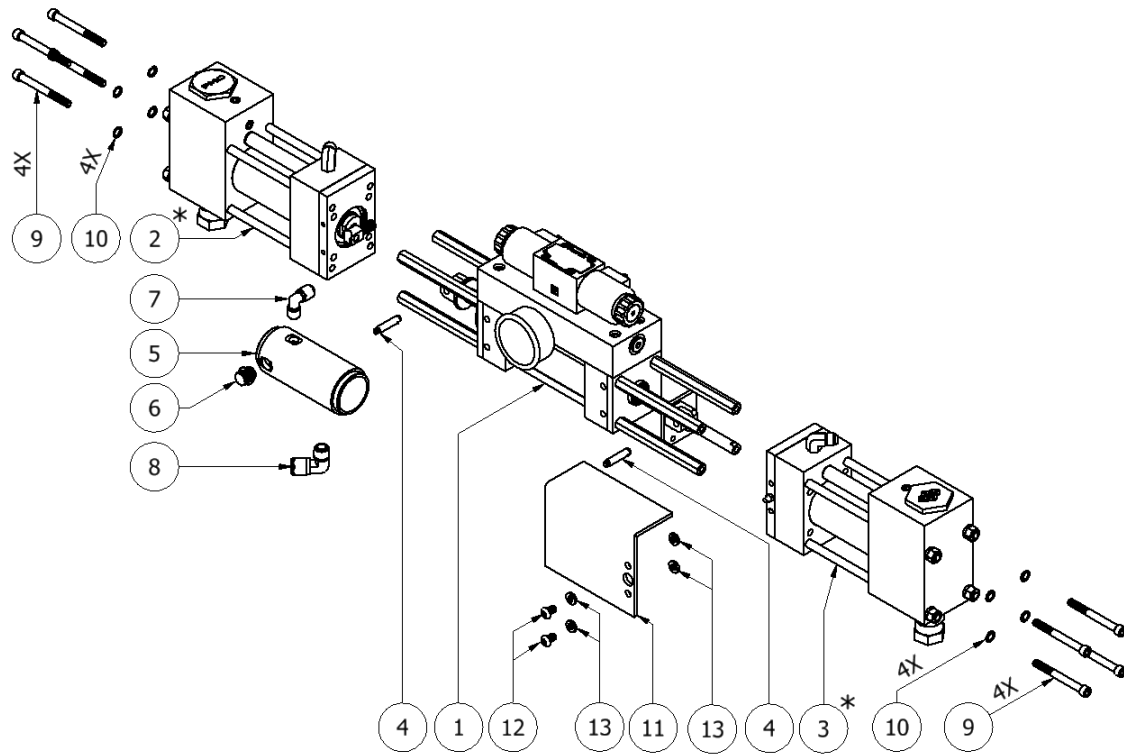


Figure 17: Pump-Line Assembly (PL-1A/PL-2)

| PUMP-LINE ASSEMBLY (PL-1A/PL-2) | | | |
|---------------------------------|-----|--------------|--------------------------------|
| ITEM | QTY | PART NUMBER | DESCRIPTION |
| 1 | 1 | HI-01 | HYDRAULIC CYLINDER COMPLETE |
| 2 | 1 | PU-05001-XXX | "A" PUMP ASSEMBLY, SIZE XXX |
| 3 | 1 | PU-05002-XXX | "R" PUMP ASSEMBLY, SIZE XXX |
| 4 | 2 | PU-05007 | PIN, CLEVIS |
| 5 | 1 | PU-05003 | LUBE CYLINDER |
| 6 | 1 | RA-00065A | PUMP CYLINDER PLUG |
| 7 | 1 | RA-00066A | CBMB 90DEG MALE ELBOW NPT |
| 8 | 1 | RA-00067A | CBMB 90DEG MALE ELBOW NPT |
| 9 | 8 | PU-05008 | MOUNTING BOLT |
| 10 | 8 | PU-05008-1 | SERRATED WASHER 5/16 |
| 11 | 1 | PU-01027 | ACTIVATOR PLATE COVER |
| 12 | 2 | 202105 | BHCS, 5/16-18 X 0.500, 18-8 SS |
| 13 | 4 | 202163 | NEOPRENE WASHER, .290 ID |

15.7.1 PUMP BASE REPAIR KIT

| PUMP BASE UPGRADE KIT, SPLIT SLEEVE (202305) | | |
|---|--------------------|-----------------------------|
| QTY | PART NUMBER | DESCRIPTION |
| 1 | 202220 | SLEEVE, PUMP BASE |
| 1 | 202221 | RETAINER NUT, PUMP BASE |
| 1 | 202228 | O-RING -218, TEFLON, 55D |
| 1 | PU-01003-IG | GASKET, DISCHARGE BALL SEAT |
| 1 | PU-05023-1 | GASKET, PUMP RETAINER NUT |
| 1 | PU-05024 | SEAT, DISCHARGE |
| 1 | PU-05025 | BALL, DISCHARGE |

| PUMP BASE REPAIR KIT, SPLIT SLEEVE (202355) | | |
|--|--------------------|--------------------------------|
| QTY | PART NUMBER | DESCRIPTION |
| 1 | 200706 | CHECK VALVE REMOVAL TOOL, PUMP |
| 1 | HI-05067 | PIPE PLUG 1/4-18, 7/8 TAPER |
| 1 | OR-00045A | O-RING -028, VITON, 90D |
| 1 | 202228 | O-RING -218, TEFLON, 55D |
| 1 | PU-01003-DG | GASKET, INLET BALL SEAT |
| 1 | PU-01003-IG | GASKET, DISCHARGE BALL SEAT |
| 1 | PU-05019 | SEAT, INLET |
| 1 | PU-05020 | BALL, INLET |
| 1 | PU-05021 | SPRING |
| 1 | PU-05023-1 | GASKET, PUMP RETAINER NUT |
| 1 | PU-05024 | SEAT, DISCHARGE |
| 1 | PU-05025 | BALL, DISCHARGE |
| 1 | TL-02 | TOOL, BALL SEAT REMOVAL |
| 1 | OR-00051B | O-RING -218, AFLAS 80D |

| PUMPLINE O-RING KIT (KT-05009) | | |
|---------------------------------------|--------------------|-------------------------|
| QTY | PART NUMBER | DESCRIPTION |
| 4 | OR-00011A | O-RING, 12X12MM ID |
| 4 | OR-00046A | O-RING -133, VITON, 90D |
| 2 | OR-00051B | O-RING -218, AFLAS, 80D |
| 2 | PU-01013A | GASKET, CYLINDER FLANGE |
| 1 | OR-00044A | O-RING -024 |
| 2 | OR-00020A | O-RING -136, VITON |

15.8 INLET MONITORING ASSEMBLY

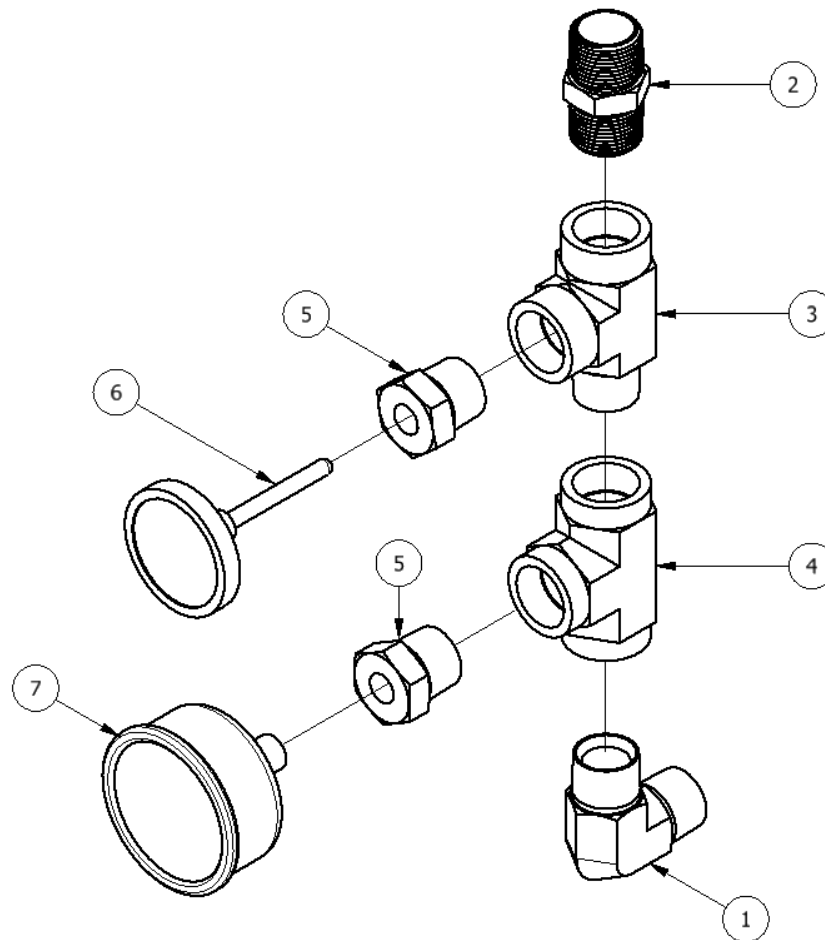


Figure 18: Inlet Monitoring Assembly (KT-05005)

| INLET MONITORING ASSEMBLY (KT-05005) | | | |
|--------------------------------------|-----|-------------|--|
| ITEM | QTY | PART NUMBER | DESCRIPTION |
| 1 | 2 | HI-05015 | FTG, 90 DEG, 3/4 MNPTF, STEEL |
| 2 | 2 | HI-05017 | FTG, UNION, 3/4 MNPTF, STEEL |
| 3 | 2 | HI-05051 | FTG, RUN TEE, 3/4 MNPTF, STEEL |
| 4 | 2 | HI-05052 | PARKER PIPE FEMALE TEE |
| 5 | 4 | HI-05053 | FTG, RDCR, 3/4 MNPTF, 1/4 FNPTF, STEEL |
| 6 | 2 | HI-05055 | GAUGE, TEMP, 0-200 F |
| 7 | 2 | HI-05103 | PRESS GAUGE 0-600 PSI |

15.9 Y-STRAINER ASSEMBLY "A" SIDE

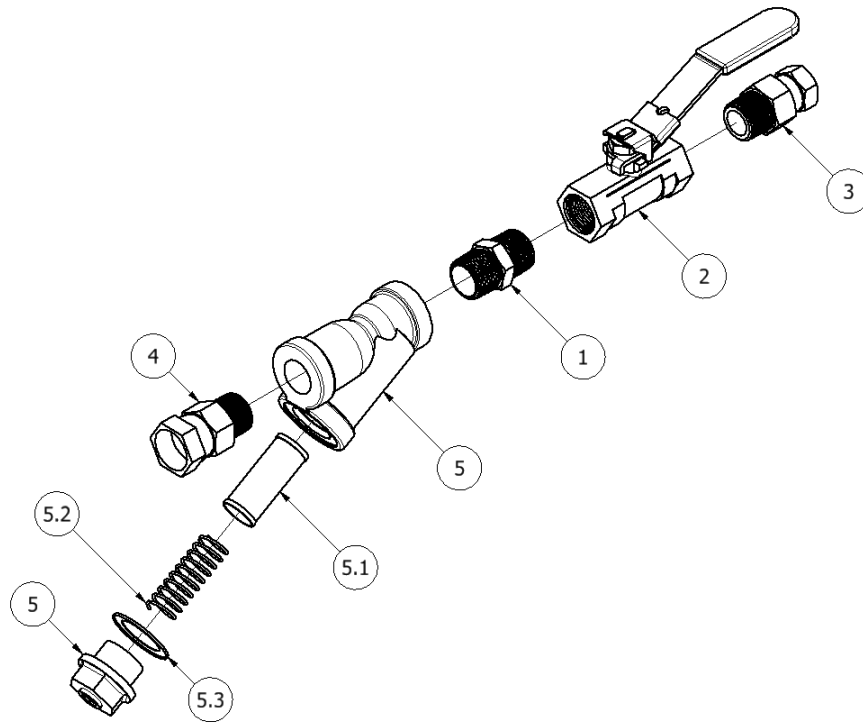


Figure 19: Y-Strainer Assembly "A" Side (YS-1)

| Y-STRAINER ASSEMBLY "A" SIDE (YS-1) | | | |
|-------------------------------------|-----|-----------------|------------------------|
| ITEM | QTY | PART NUMBER | DESCRIPTION |
| 1 | 1 | HI-05017 | 3/4 MNPT UNION |
| 2 | 1 | RA-00078A | 3/4 BALL VALVE SS |
| 3 | 1 | HI-05018 | 3/4 NPT X 1/2 NPT SW |
| 4 | 1 | HI-05016 | 3/4 NPTM X 3/4 NPTF SW |
| 5 | 1 | RA-00074-00A | Y-STRAINER ASSY |
| 5.1 | 1 | RA-00074-03-XXA | FILTER SCREEN 30/60/80 |
| 5.2 | 1 | SP-00009A | FILTER SCREEN SPRING |
| 5.3 | 1 | RA-00074-02A | GASKET, Y-STRAINER |

Note: Items 5.1-5.3 can be order separately but are all included in purchase of Item 5 (RA-00074-00A)

15.10 Y-STRAINER ASSEMBLY "R" SIDE

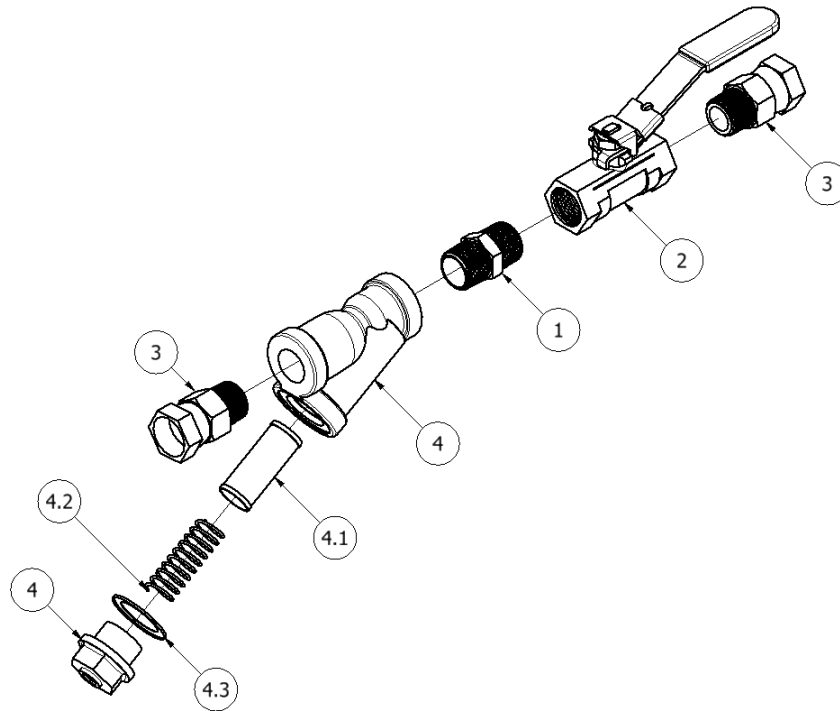


Figure 20: Y-Strainer Assembly "R" Side (YS-2)

| Y-Strainer Assembly "R" Side (YS-2) | | | |
|-------------------------------------|-----|-----------------|------------------------|
| ITEM | QTY | PART NUMBER | DESCRIPTION |
| 1 | 1 | HI-05017 | 3/4 MNPT UNION |
| 2 | 1 | RA-00078A | 3/4 BALL VALVE SS |
| 3 | 2 | HI-05016 | 3/4 NPTM X 3/4 NPTF SW |
| 4 | 1 | RA-00074-00A | Y-STRAINER ASSY |
| 4.1 | 1 | RA-00074-03-XXA | FILTER SCREEN 30/60/80 |
| 4.2 | 1 | SP-00009A | FILTER SCREEN SPRING |
| 4.3 | 1 | RA-00074-02A | GASKET, Y-STRAINER |

Note: Items 4.1-4.3 can be order separately but are all included in purchase of Item 4 (RA-00074-00A)

15.11 HEATER ASSEMBLY

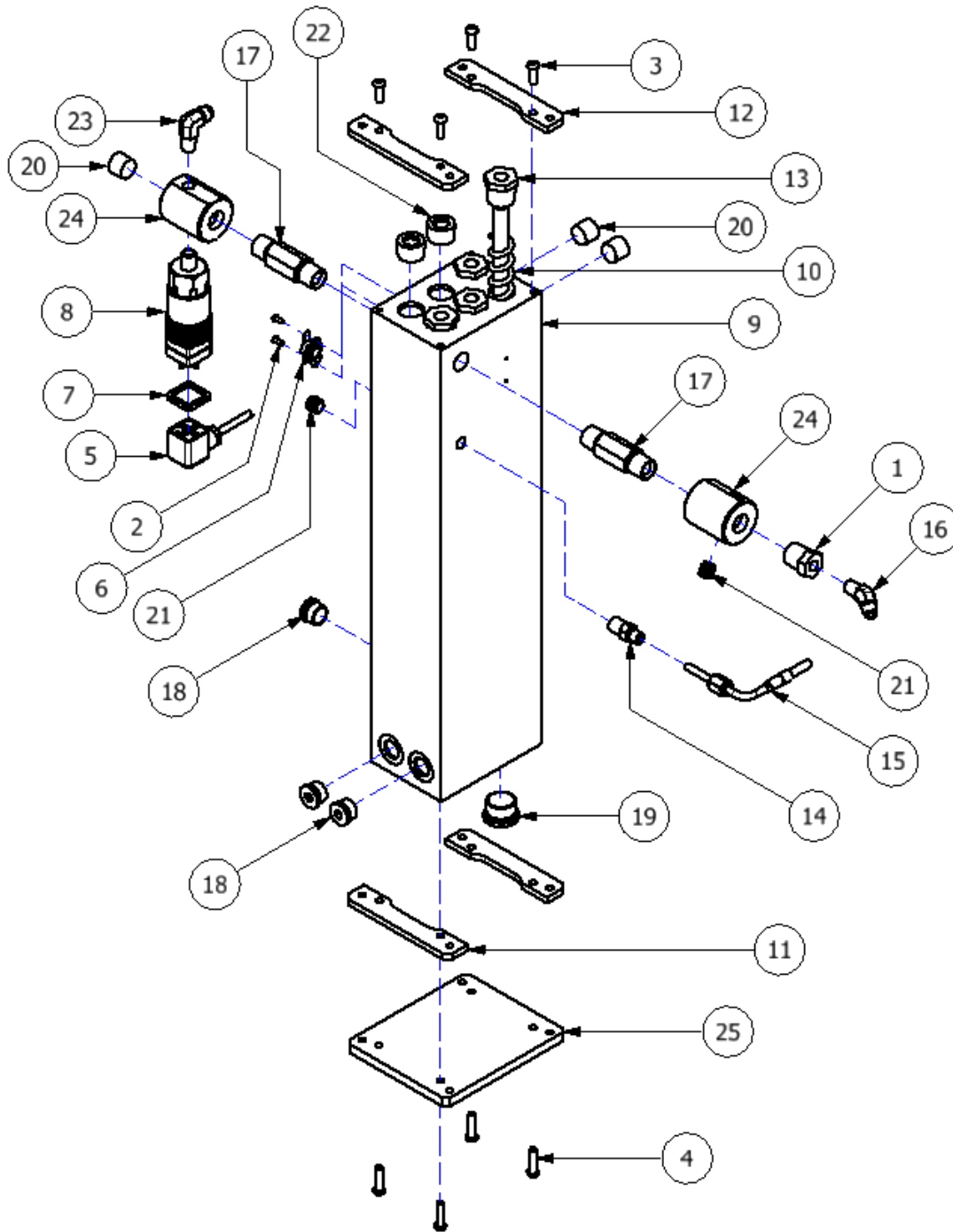


Figure 21: Heater Assembly, 4 Rod

| HEATER ASSEMBLY | | | | |
|---|------------|--------------------|---------------------------------|---------------------|
| PH-1 (5,000W)/PH-3 (6,000W)/PH-11 (4,000W) | | | | |
| PH-2 (5,000W)/PH-4 (6,000W)/PH-12 (4,000W) | | | | |
| ITEM | QTY | PART NUMBER | DESCRIPTION | WHERE USED |
| 1 | 1 | 200219 | 1/2 NPTF MALE X 1/2 NPTF FEMALE | ALL |
| 2 | 2 | 201561 | BHCS, #6-32 X 0.375, 18-8 SS | ALL |
| 3 | 4 | 201899 | BHCS, 1/4-20 X 0.750, 19-8 SS | ALL |
| 4 | 4 | 201902 | BHCS, 1/4-20 X 1.000, 18-8 SS | ALL |
| 5 | 1 | 202190 | CABLE, OP, PH25/40 | ALL |
| 6 | 1 | EL-00006A | OVERTEMP SWITCH | ALL |
| 7 | 1 | EL-00053 | GASKET, SOLENOID VALVE | ALL |
| 8 | 1 | EL-42-2200 | PRESSURE SWITCH, 2200 PSI | PH-25 |
| | 1 | EL-42-3750 | PRESSURE SWITCH, 3750 PSI | PHX-25 |
| 9 | 1 | GM-05423-1 | HEATER BODY | ALL |
| 10 | 6 | GM-05423-7 | SPRING 18" | ALL |
| 11 | 2 | GM-05423-9 | PHENOLIC STANDOFF, FRONT | ALL |
| 12 | 2 | GM-05423-10 | PHENOLIC STANDOFF, BACK | ALL |
| 13 | 4 | GM-05423-1000 | FIRE ROD, 1000W, 3/4 NPT, 17.5" | PH-11 & PH-12 |
| | 4 | GM-05423-1250 | FIRE ROD, 1250W, 3/4 NPT, 17.5" | PH-1 & PH-2 |
| | 4 | GM-05423-1500 | FIRE ROD, 1500W, 3/4 NPT, 17.5" | PH-3 & PH-4 |
| 14* | 1 | HI-05020 | THERMOCOUPLE NUT | ALL |
| 15* | 1 | HI-05021 | THERMOCOUPLE TYPE E | ALL |
| 16 | 1 | HI-05026 | OUTLET HEATER FITTING "R" | PH-2 & PH-4 & PH-12 |
| | 1 | HI-05027 | OUTLET HEATER FITTING "A" | PH-1 & PH-3 & PH-11 |
| 17 | 2 | HI-05032 | 1/2 NPT LONG HEX NIPPLE | ALL |
| 18 | 3 | HI-05033 | 3/4-16 O-RING PLUG | ALL |
| 19 | 6 | HI-05034 | 12 ORB PLUG | ALL |
| 20 | 3 | HI-05035 | 1/2 NPT FLUSH SEAL PIPE PLUG | ALL |
| 21 | 2 | HI-05036 | 1/4 NPT FLUSH SEAL PIPE PLUG | ALL |
| 22 | 2 | HI-05037 | 3/4 NPT FLUSH SEAL PIPE PLUG | ALL |
| 23 | 1 | HI-05038 | 1/4 NPT X 9/16-18 JIC, 90 DEG | ALL |
| 24 | 2 | HI-05046-1/2 | GAUGE MANIFOLD, 1/2 OUTLET | ALL |
| 25 | 1 | RM-05700-17 | HEATER BOTTOM, MOUNTING PLATE | ALL |

* Indicates part included in KT-05021: Heater Thermocouple Kit

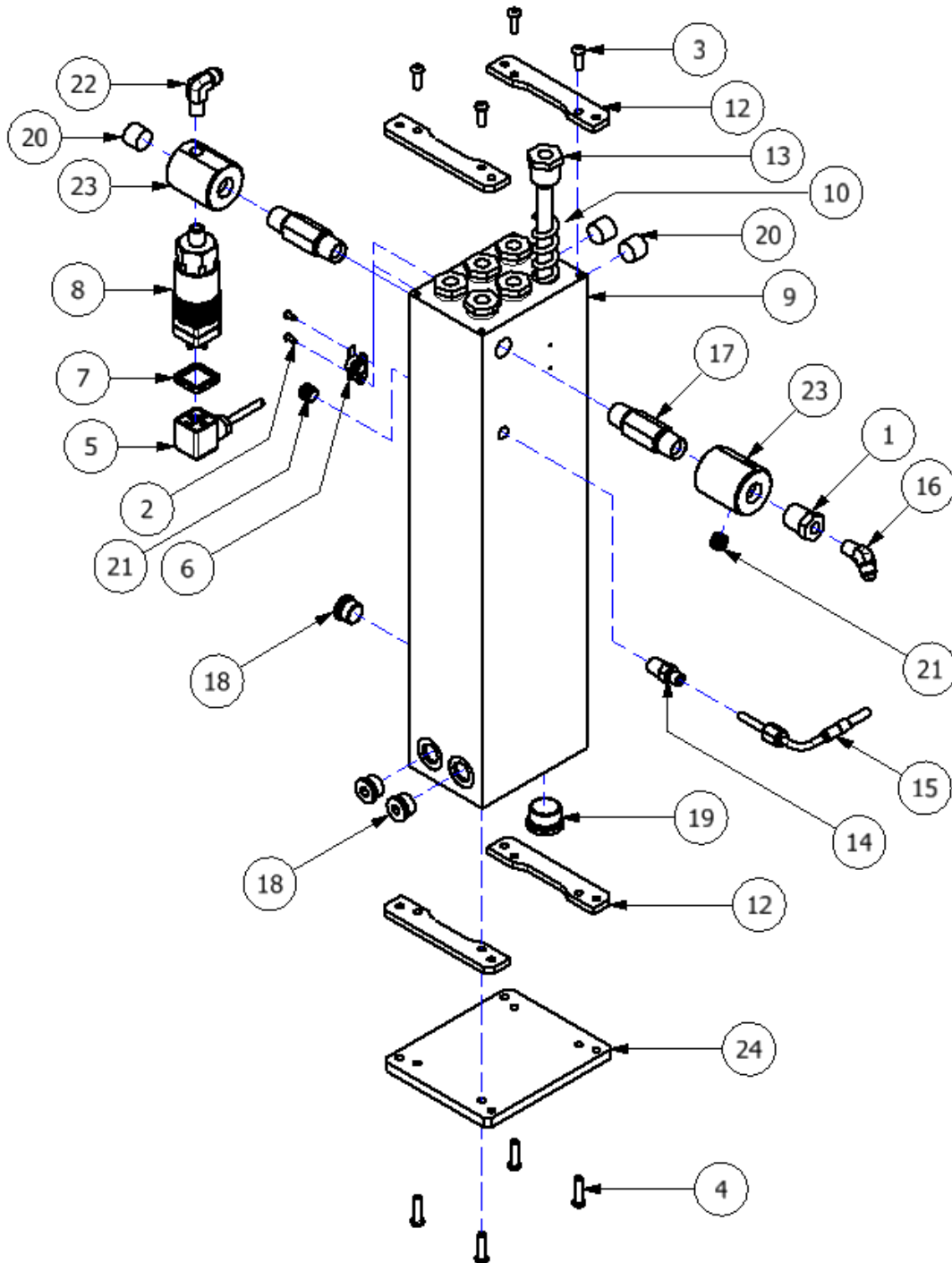


Figure 22: Heater Assembly, 6 Rod

HEATER ASSEMBLY
PH-5 (7,500W)/PH-7 (9,000W)/PH-9 (10,500W)
PH-6 (7,500W)/PH-8 (9,000W)/PH-10 (10,500W)

| ITEM | QTY | PART NUMBER | DESCRIPTION | WHERE USED |
|------|-----|---------------|---------------------------------|---------------------|
| 1 | 1 | 200219 | 1/2 NPTF MALE X 1/2 NPTF FEMALE | ALL |
| 2 | 2 | 201561 | BHCS, #6-32 X 0.375, 18-8 SS | ALL |
| 3 | 4 | 201899 | BHCS, 1/4-20 X 0.750, 19-8 SS | ALL |
| 4 | 4 | 201902 | BHCS, 1/4-20 X 1.000, 18-8 SS | ALL |
| 5 | 1 | 202190 | CABLE, OP, PH25/40 | ALL |
| 6 | 1 | EL-00006A | OVERTEMP SWITCH | ALL |
| 7 | 1 | EL-00053 | GASKET, SOLENOID VALVE | ALL |
| 8 | 1 | EL-42-2200 | PRESSURE SWITCH, 2200 PSI | PH-40 |
| | 1 | EL-42-3750 | PRESSURE SWITCH, 3750 PSI | PHX-40 |
| 9 | 1 | GM-05423-1 | HEATER BODY | ALL |
| 10 | 6 | GM-05423-7 | SPRING 18" | ALL |
| 11 | 2 | GM-05423-9 | PHENOLIC STANDOFF, FRONT | ALL |
| 12 | 2 | GM-05423-10 | PHENOLIC STANDOFF, BACK | ALL |
| 13 | 6 | GM-05423-1250 | FIRE ROD, 1250W, 3/4 NPT, 17.5" | PH-5 & PH-6 |
| | 6 | GM-05423-1500 | FIRE ROD, 1500W, 3/4 NPT, 17.5" | PH-7 & PH-8 |
| | 6 | GM-05423-1750 | FIRE ROD, 1750W, 3/4 NPT, 17.5" | PH-9 & PH-10 |
| 14* | 1 | HI-05020 | THERMOCOUPLE NUT | ALL |
| 15* | 1 | HI-05021 | THERMOCOUPLE TYPE E | ALL |
| 16 | 1 | HI-05026 | OUTLET HEATER FITTING "R" | PH-6 & PH-8 & PH-10 |
| | 1 | HI-05027 | OUTLET HEATER FITTING "A" | PH-5 & PH-7 & PH-9 |
| 17 | 2 | HI-05032 | 1/2 NPT LONG HEX NIPPLE | ALL |
| 18 | 3 | HI-05033 | 3/4-16 O-RING PLUG | ALL |
| 19 | 6 | HI-05034 | 12 ORB PLUG | ALL |
| 20 | 3 | HI-05035 | 1/2 NPT FLUSH SEAL PIPE PLUG | ALL |
| 21 | 2 | HI-05036 | 1/4 NPT FLUSH SEAL PIPE PLUG | ALL |
| 22 | 1 | HI-05038 | 1/4 NPT X 9/16-18 JIC, 90 DEG | ALL |
| 23 | 2 | HI-05046-1/2 | GAUGE MANIFOLD, 1/2 OUTLET | ALL |
| 24 | 1 | RM-05700-17 | HEATER BOTTOM, MOUNTING PLATE | ALL |

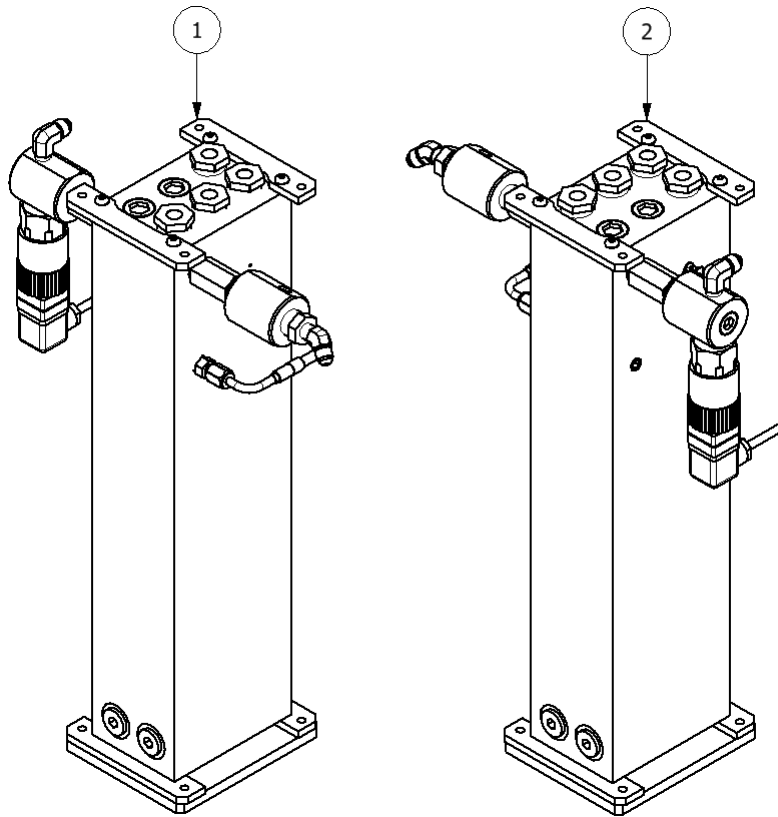


Figure 23: Heater Assembly, 4 Rod, "A" Side / "R" Side

| HEATER ASSEMBLY | | | |
|------------------------|------------|--------------------|------------------------------|
| ITEM | QTY | PART NUMBER | DESCRIPTION |
| 1 | 1 | PH-1 | HEATER ASSY "A" SIDE, 5.0 kW |
| | 1 | PH-3 | HEATER ASSY "A" SIDE, 6.0 kW |
| | 1 | PH-11 | HEATER ASSY "A" SIDE, 4.0 kW |
| 2 | 1 | PH-2 | HEATER ASSY "R" SIDE, 5.0 kW |
| | 1 | PH-4 | HEATER ASSY "R" SIDE, 6.0 kW |
| | 1 | PH-12 | HEATER ASSY "R" SIDE, 4.0 kW |

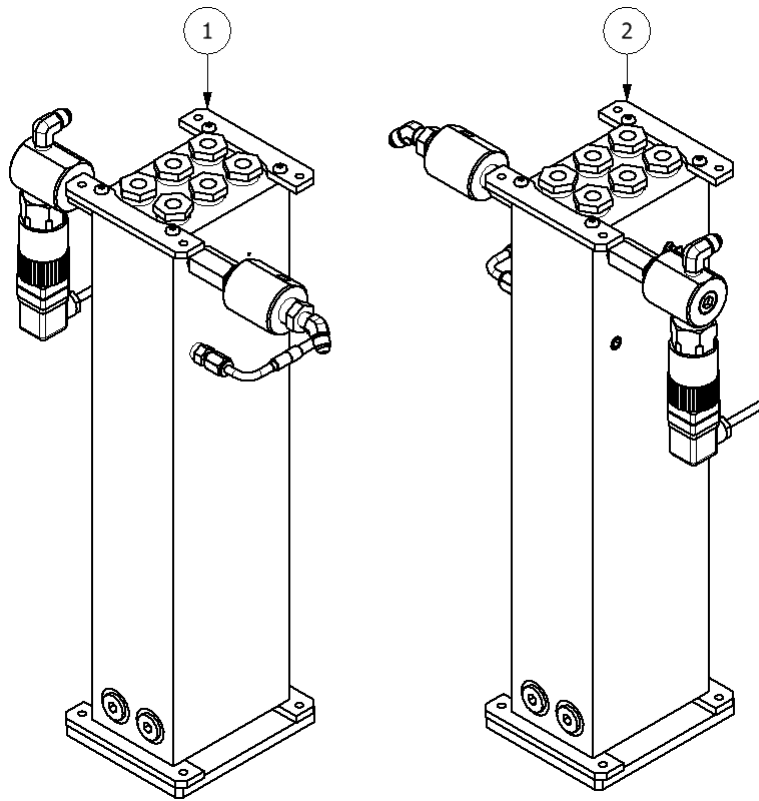


Figure 24: Heater Assembly, 6 Rod, "A" Side / "R" Side

| HEATER ASSEMBLY | | | |
|------------------------|------------|--------------------|-------------------------------|
| ITEM | QTY | PART NUMBER | DESCRIPTION |
| 1 | 1 | PH-5 | HEATER ASSY "A" SIDE, 7.5 kW |
| | 1 | PH-7 | HEATER ASSY "A" SIDE, 9.0 kW |
| | 1 | PH-9 | HEATER ASSY "A" SIDE, 10.5 kW |
| 2 | 1 | PH-6 | HEATER ASSY "R" SIDE, 7.5 kW |
| | 1 | PH-8 | HEATER ASSY "R" SIDE, 9.0 kW |
| | 1 | PH-10 | HEATER ASSY "R" SIDE, 10.5 kW |

15.11.1 HEATER THERMOCOUPLE KIT

| HEATER THERMOCOUPLE KIT (KT-05021) | | |
|---|--------------------|---------------------|
| QTY | PART NUMBER | DESCRIPTION |
| 1 | HI-05020 | THERMOCOUPLE NUT |
| 1 | HI-05021 | THERMOCOUPLE TYPE E |

15.12 PRESSURE TRANSDUCER ASSEMBLY

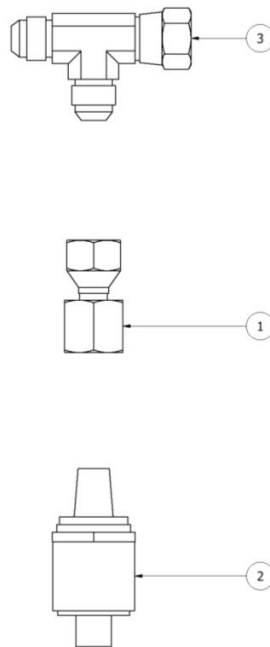


Figure 25: Pressure Transducer Assembly (EL-200)

| PRESSURE TRANSDUCER ASSEMBLY (EL-200) | | | |
|--|------------|--------------------|-------------------------------|
| ITEM | QTY | PART NUMBER | DESCRIPTION |
| 1 | 1 | HI-05006-6 | 1/4 NPT X 6 JIC GAUGE FITTING |
| 2 | 1 | EL-195 | 0-5000 PRESSURE TRANSDUCER |
| 3 | 1 | HI-05006-5 | 6 JIC SWIVEL NUT RUN TEE |

15.13 BLEED VALVE KIT

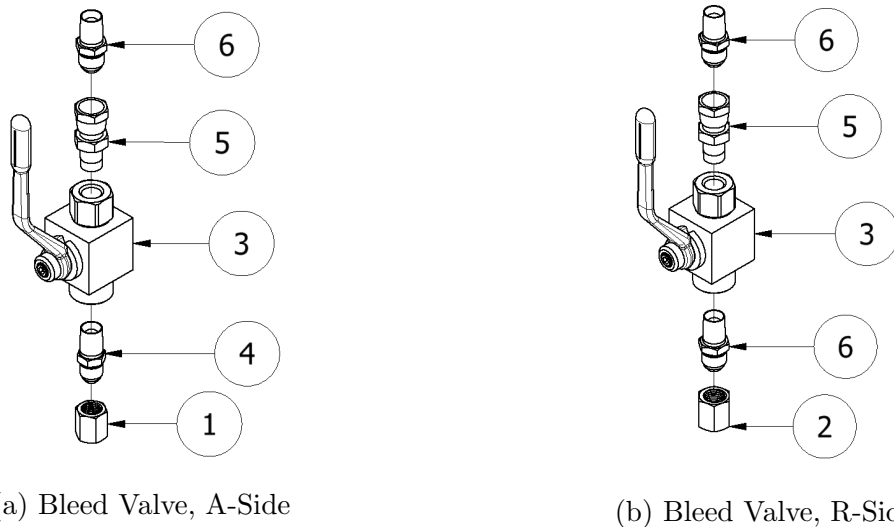


Figure 26: Bleed Valve Kit (202455)

| BLEED VALVE KIT (202455) | | | |
|---------------------------------|------------|--------------------|--------------------------------|
| ITEM | QTY | PART NUMBER | DESCRIPTION |
| 1 | 1 | 200226 | 5/16" JIC SOLID CAP |
| 2 | 1 | 200227 | 3/8" JIC SOLID CAP |
| 3 | 2 | 202430 | BALL VALVE, 1/4 NPT, 5,000 PSI |
| 4 | 1 | EL-00051A-4 | 1/4 X #5 JIC MALE FTG |
| 5 | 2 | EL-00051A-5 | 1/4 X #6 JIC FEMALE SWIVEL FTG |
| 6 | 3 | EL-00051A-6 | 1/4 X #6 JIC MALE FTG |

15.14 MOTOR-LINE ASSEMBLY

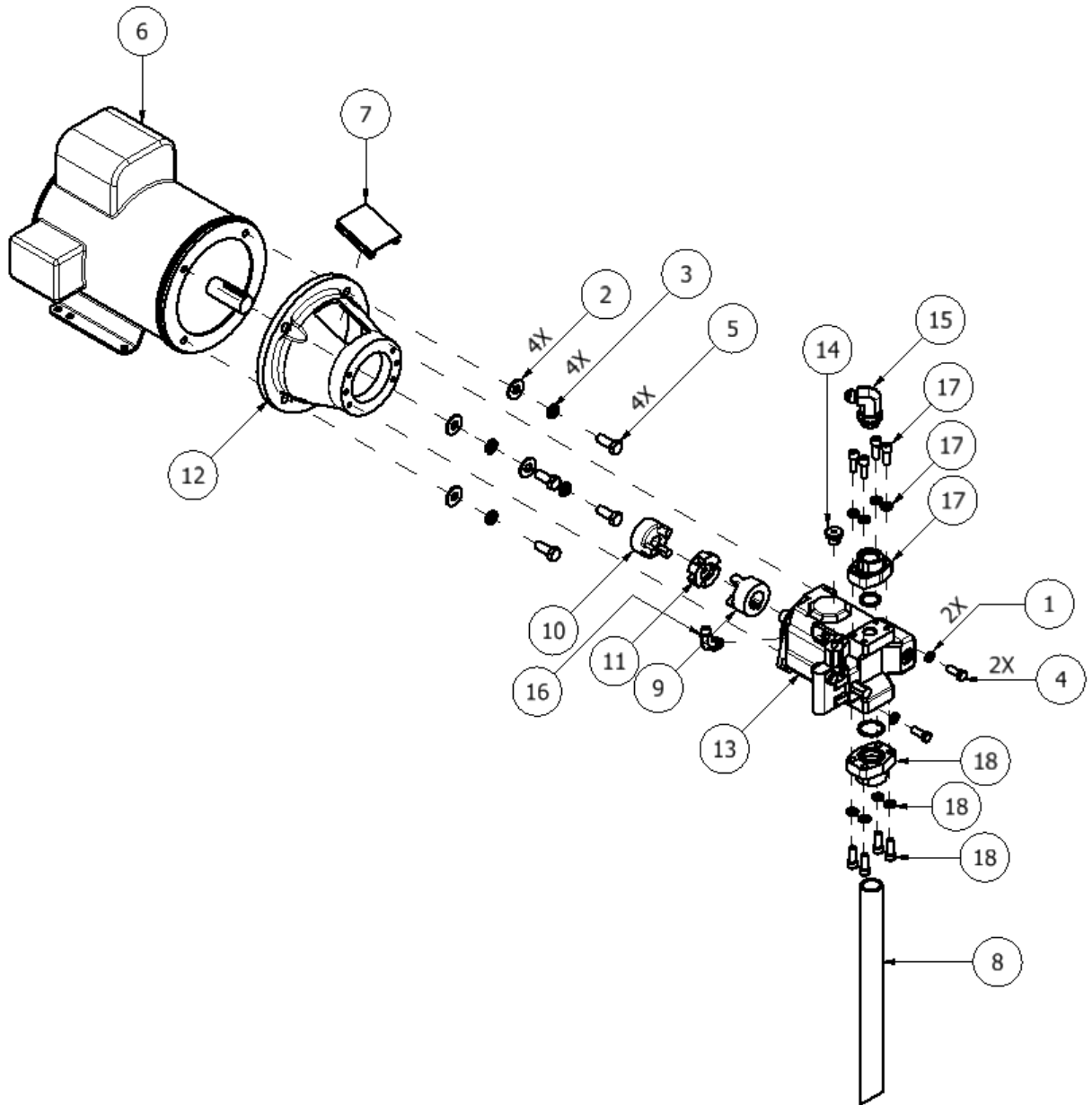


Figure 27: Motor-Line Assembly (ML-1/ML-2/ML-3/ML-4)

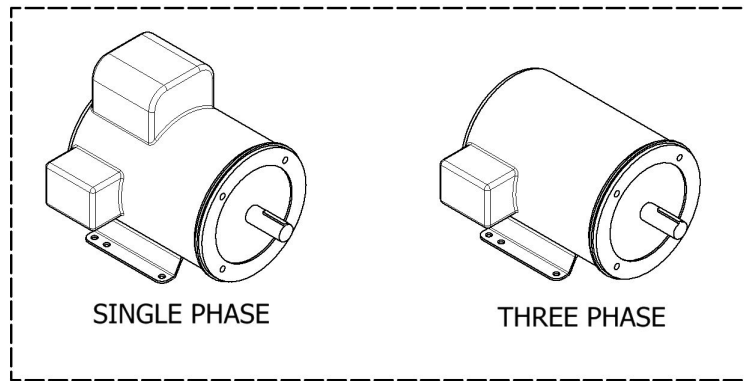


Figure 28: Motor Comparison

| MOTOR-LINE ASSEMBLY (ML-1/ML-2) | | | |
|--|------------|--------------------|--------------------------------|
| ITEM | QTY | PART NUMBER | DESCRIPTION |
| 1 | 10 | 201628 | WASHER, LOCK, 3/8, 18-8 SS |
| 2 | 4 | 201629 | WASHER, FLAT, 1/2, 18-8 SS |
| 3 | 4 | 201630 | WASHER, LOCK, 1/2, 18-8 SS |
| 4 | 2 | 202152 | HHCS, 3/8-16 X 1.000, ZP GRD8 |
| 5 | 4 | 202207 | HHCS, 1/2-13 X 1.25, ZP GRD8 |
| 6 | 1 | EL-05224 | ELECTRIC MOTOR, 3HP, 3PH, 60HZ |
| | 1 | EL-05221 | ELECTRIC MOTOR, 3HP, 1PH, 60HZ |
| | 1 | EL-05222 | ELECTRIC MOTOR, 5HP, 1PH, 60HZ |
| | 1 | EL-05223 | ELECTRIC MOTOR, 5HP, 3PH, 60HZ |
| 7 | 1 | HI-00005-03 | ACCESS COVER |
| 8 | 1 | HI-00049A | 1X16 BLACK PIPE FOR HYDRAULIC |
| 9 | 1 | HI-00065-03 | COUPLER HUB, 3/4 |
| 10 | 1 | HI-00065-02 | COUPLER HUB, 1 1/8 |
| 11 | 1 | HI-00065-01 | COUPLER INSERT |
| 12 | 1 | HI-05001 | BELL HOUSING |
| 13 | 1 | HI-05004 | HYDRAULIC PUMP |
| 14 | 1 | HI-05004-1 | CONTROL KNOB, HYD PUMP |
| 15 | 1 | HI-05008 | 1-1/16-12 O-RING X 3/4 JIC |
| 16 | 1 | HI-05007 | 6 ORB X 6 JIC 90 DEGREE |
| 17 | 1 | HI-05009 | 1-1/16-12 OUTLET FLANGE |
| 18 | 1 | HI-05010 | 1" NPT INLET FLANGE |

15.15 TRANSFORMER COVER ASSEMBLY

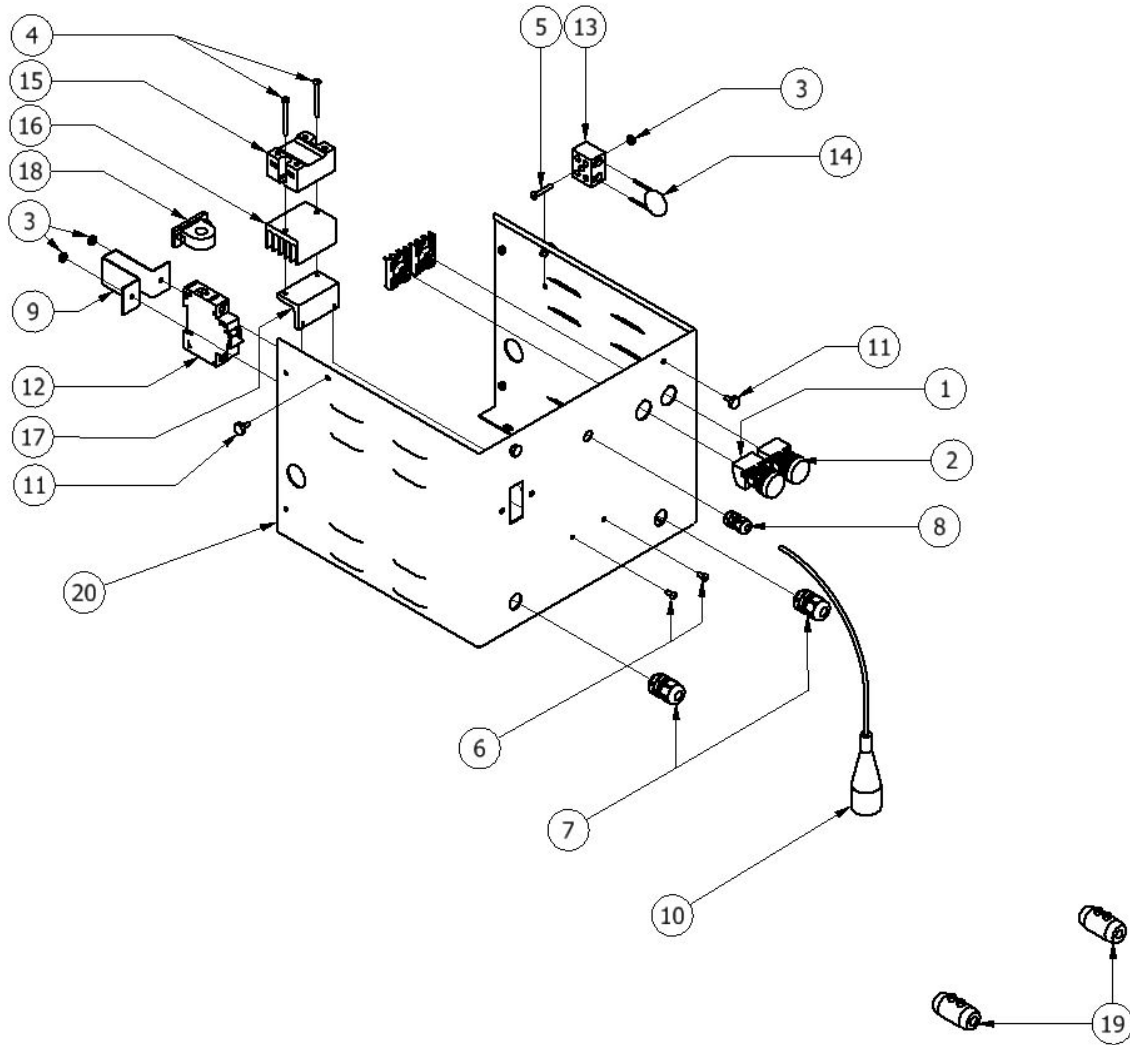


Figure 29: Transformer Cover Assembly

| TRANSFORMER COVER ASSEMBLY | | | |
|-----------------------------------|------------|--------------------|------------------------------|
| ITEM | QTY | PART NUMBER | DESCRIPTION |
| 1 | 1 | 201242 | LIGHT UNIT, RED, 120VAC |
| 2 | 1 | 201243 | LIGHT UNIT, WHITE, 120VAC |
| 3 | 3 | 201057 | NUT, HEX, #8-32 |
| 4 | 2 | 201586 | SHCS, #8-32 X 1.750, 18-8 SS |
| 5 | 1 | 202326 | BHCS, #8-32 X 1.250, 18-8 SS |
| 6 | 2 | 201633 | BHCS, #8-32 X 0.375, 18-8 SS |
| 7 | 2 | EL-000P12 | HAYCO #6 AWG SR |
| 8 | 1 | EL-000P7 | HAYCO SR THERMOCOUPLE |
| 9 | 1 | EL-00118A-00-1 | HOSE BREAKER MOUNTING PLATE |
| 10 | 1 | EL-05235 | THERMOCOUPLE HARNESS, 24" |
| 11 | 4 | EL-05700-27 | TRANSFORMER KNOB |
| 12 | 1 | EL-150 | CIRCUIT BREAKER, 63 AMP |
| 13 | 1 | EL-192 | TERMINAL BLOCK |
| 14 | 1 | EL-193 | INRUSH CURRENT LIMITER |
| 15 | 1 | EL-35 | HOSE HEAT RELAY |
| 16 | 1 | EL-35-1 | HEAT SINK |
| 17 | 1 | EL-35-2 | RELAY BRACKET |
| 18 | 1 | EL-37 | TRANSFORMER, SIGNAL |
| 19 | 2 | KT-00029A-1 | HOSE HEAT, CONNECTOR BODY |
| 20 | 1 | RM-05700-25 | TRANSFORMER COVER, SIDES |

15.16 FRAME ASSEMBLY

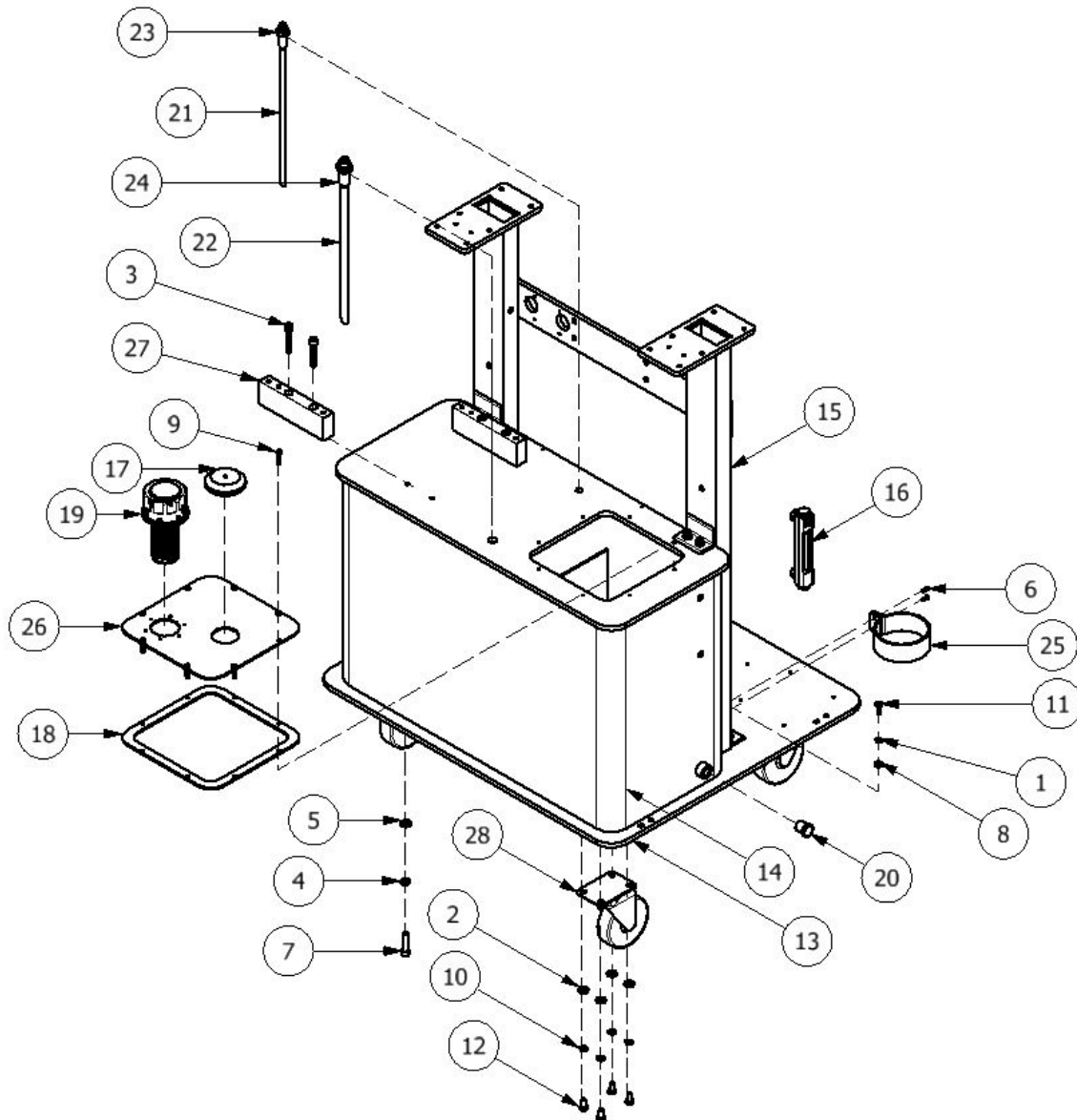


Figure 30: Frame Assembly (FR-1)

| FRAME ASSEMBLY (FR-1) | | | |
|------------------------------|------------|--------------------|---------------------------------|
| ITEM | QTY | PART NUMBER | DESCRIPTION |
| 1 | 8 | 201060 | WASHER, LOCK, 1/4 |
| 2 | 16 | 201580 | WASHER, FLAT, 5/16, 18-8 SS |
| 3 | 4 | 201583 | SHCS, 3/8-16 X 2.000, 18-8 SS |
| 4 | 4 | 201587 | WASHER, LOCK, 3/8, 18-8 SS |
| 5 | 4 | 201588 | WASHER, FLAT, 3/8, 18-8 SS |
| 6 | 2 | 201590 | BHCS, #8-32 X 0.5, 18-8 SS |
| 7 | 4 | 201620 | SHCS, 3/8-16 X 1.500, 18-8 SS |
| 8 | 8 | 201621 | WASHER, FLAT, 1/4, 18-8 SS |
| 9 | 8 | 201902 | BHCS, 1/4-20 X 1.0, 18-8 SS |
| 10 | 16 | 202145 | WASHER, LOCK, 5/16, 18-8 SS |
| 11 | 8 | 202146 | HHCS, 1/4-20 X 0.750, ZP GRD 8 |
| 12 | 16 | 202313 | HHCS, 5/16-18 X 0.625, ZP GRD 5 |
| 13 | 1 | FR-4 | WELDMENT, BASE, PH-2 |
| 14 | 1 | FR-5 | WELDMENT, TANK, SUB |
| 15 | 1 | FR-8 | WELDMENT, UPRIGHT, PH-2 |
| 16 | 1 | HI-00001A | SIGHT GAUGE |
| 17 | 1 | HI-00002-A | GROMMET, RUBBER, 1.865 ID |
| 18 | 1 | HI-000014-03A | TANK TOP GASKET |
| 19 | 1 | HI-00047A | HYDRAULIC FILL STRAINER |
| 20 | 1 | HI-05048 | DRAIN PLUG |
| 21 | 1 | HI-05306 | TANK PUMP DRAIN TUBE |
| 22 | 1 | HI-05308 | TANK DISCHARGE TUBE |
| 23 | 1 | HI-05317 | 3/8 JIC BULKHEAD UNION |
| 24 | 1 | HI-05319 | 1/2 JIC BULKHEAD UNION |
| 25 | 1 | MQ-01008A | LUBE BOTTLE BRACKET |
| 26 | 1 | RM-05700-11 | TANK LID |
| 27 | 2 | RM-05700-15 | MOTOR MOUNT BARS |
| 28 | 4 | TN-05704 | 4" CASTER |

15.17 FINAL ASSEMBLY

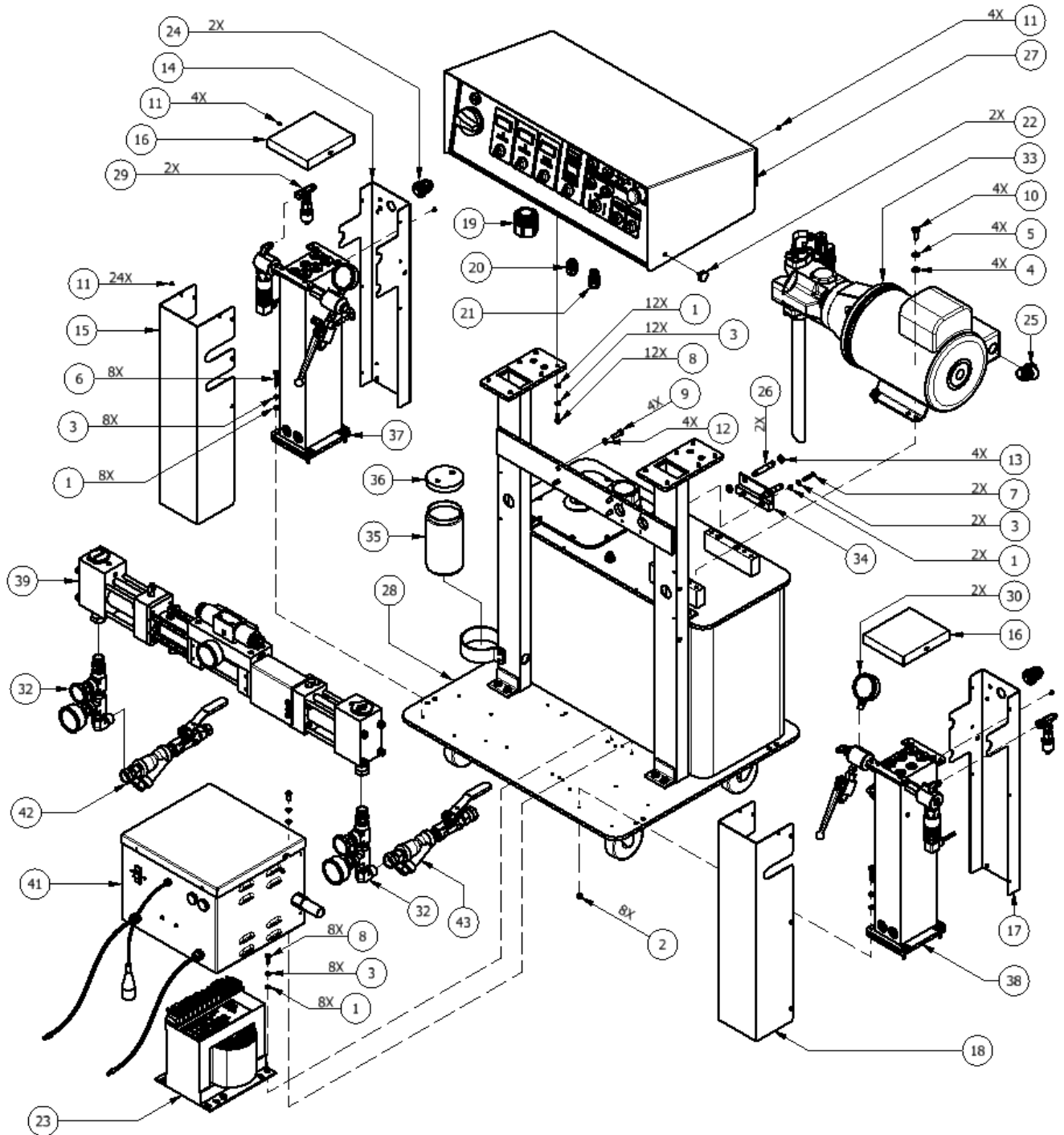


Figure 31: PH(X)-25/PH(X)-40 Final Assembly

| PH(X)-25/PH(X)-40 FINAL ASSEMBLY | | | | |
|---|------------|--------------------|---------------------------------|----------------|
| ITEM | QTY | PART NUMBER | DESCRIPTION | MACHINE |
| 1 | 30 | 201056 | WASHER, FLAT, 1/4, 18-8 SS | ALL |
| 2 | 8 | 201058 | NUT, HEX, 1/4-20, 18-8 SS | ALL |
| 3 | 30 | 201060 | WASHER, LOCK, 1/4, 18-8 SS | ALL |
| 4 | 4 | 201588 | WASHER, FLAT, 3/8, 18-8 SS | ALL |
| 5 | 4 | 201628 | WASHER, LOCK, 3/8, 18-8 SS | ALL |
| 6 | 8 | 201887 | HHCS, 1/4-20 X 1.500, ZP GRD 8 | ALL |
| 7 | 2 | 201903 | BHCS, 1/4-20 X 1.250, 18-8 SS | ALL |
| 8 | 20 | 202146 | HHCS, 1/4-20 X 0.750, ZP GRD 8 | ALL |
| 9 | 4 | 202151 | HHCS, 5/16-18 X 1.000, ZP GRD 8 | ALL |
| 10 | 4 | 202152 | HHCS, 3/8-16 X 1.000, ZP GRD 8 | ALL |
| 11 | 32 | 202191 | BHCS, #8-32 X 0.250, 18-8 SS | ALL |
| 12 | 4 | 202554 | WASHER, LOCK, 5/16, ZP | ALL |
| 13 | 4 | - | NUT, JAM, M10 X 1.5 | ALL |
| 14 | 1 | CL-02001-05A | "A" HEATER COVER, BACK | ALL |
| 15 | 1 | CL-02001-06A | "A" HEATER COVER, FRONT | ALL |
| 16 | 2 | CL-02001-07A | HEAT COVER, TOP | ALL |
| 17 | 1 | CL-02002-05A | "R" HEATER COVER, BACK | ALL |
| 18 | 1 | CL-02002-06A | "R" HEATER COVER, FRONT | ALL |
| 19 | 1 | EL-00088-01A | HEYCO SR INCOMING POWER | ALL |
| 20 | 1 | EL-000P12 | HAYCO #6 AWG SR | ALL |
| 21 | 1 | EL-000P13 | STRAIN RELIEF | ALL |
| 22 | 2 | EL-05220-01 | CONSOLE KNOBS | ALL |
| 23 | 1 | EL-05225 | 90V TRANSFORMER | PH(X)-25 |
| | 1 | EL-05226 | 120V TRANSFORMER | PH(X)-40 |
| 24 | 3 | EL-05230-02 | STRAIGHT CONDUIT CONNECTOR | ALL |
| 25 | 1 | EL-05230-03 | RT ANGLE CONDUIT CONNECTOR | ALL |
| 26 | 2 | EL-153 | 12MM PROX SWITCH | ALL |
| 27 | 1 | 201912 | CONSOLE ASSY, 3HP, 1PH, 220V | PH(X)-25 |
| | 1 | 201913 | CONSOLE ASSY, 3HP, 3PH, 220V | |
| | 1 | 201914 | CONSOLE ASSY, 3HP, 3PH, 380V | |
| | 1 | 201915 | CONSOLE ASSY, 3HP, 1PH, 220V | PH(X)-40 |
| | 1 | 201916 | CONSOLE ASSY, 3HP, 3PH, 220V | |
| | 1 | 201917 | CONSOLE ASSY, 3HP, 3PH, 380V | |
| 28 | 1 | FR-1 | FRAME/TANK ASSEMBLY | ALL |
| 29 | 2 | HI-05006-5 | PARKER 6 RX6-S BP-PRESSURE TEE | ALL |
| 30 | 2 | HI-05028 | PRESSURE GAUGE, 0-3000 PSI | PH-25/PH-40 |
| | 2 | HI-00035 | PRESSURE GAUGE, 0-5000 PSI | PHX-25/PHX-40 |
| 31 | 1 | 202455 | BLEED VALVE KIT | ALL |
| 32 | 1 | KT-05005 | INLET MONITORING KIT | ALL |

| ITEM | QTY | PART NUMBER | DESCRIPTION | MACHINE |
|------|-----|--------------|---------------------------------|----------|
| 33 | 1 | ML-1 | MOTOR LINE ASSY, 3HP, 3PH, 60HZ | PH(X)-25 |
| | 1 | ML-2 | MOTOR LINE ASSY, 3HP, 1PH, 60HZ | |
| | 1 | ML-3 | MOTOR LINE ASSY, 5HP, 1PH, 60HZ | PH(X)-40 |
| | 1 | ML-4 | MOTOR LINE ASSY, 5HP, 3PH, 60HZ | |
| 34 | 1 | MQ-01005A | REVERSING SWITCH, MTG PLATE | ALL |
| 35 | 1 | MQ-01009-01A | LUBE BOTTLE | ALL |
| 36 | 1 | MQ-01009-02A | LUBE BOTTLE LID | ALL |
| 37 | 1 | PH-1 | "A" SIDE HEATER, 5KW | PH(X)-25 |
| | 1 | PH-3 | "A" SIDE HEATER, 6KW | |
| | 1 | PH-11 | "A" SIDE HEATER, 4KW | |
| | 1 | PH-5 | "A" SIDE HEATER, 7.5KW | PH(X)-40 |
| | 1 | PH-7 | "A" SIDE HEATER, 9.0KW | |
| | 1 | PH-9 | "A" SIDE HEATER, 10.5KW | |
| 38 | 1 | PH-2 | "R" SIDE HEATER, 5KW | PH(X)-25 |
| | 1 | PH-4 | "R" SIDE HEATER, 6KW | |
| | 1 | PH-12 | "R" SIDE HEATER, 4KW | |
| | 1 | PH-6 | "R" SIDE HEATER, 7.5KW | PH(X)-40 |
| | 1 | PH-8 | "R" SIDE HEATER, 9.0KW | |
| | 1 | PH-10 | "R" SIDE HEATER, 10.5KW | |
| 39 | 1 | PL-1A | PUMP-LINE ASSY, 120 PUMPS | ALL |
| | 1 | PL-2 | PUMP-LINE ASSY, 80 PUMPS | ALL |
| 40 | 1 | RM-05700-26 | TRANSFORMER COVER, TOP | ALL |
| 41 | 1 | RM-05700-34 | TRANSFORMER COVER, SIDE ASSY | ALL |
| 42 | 1 | YS-1 | Y-STRAINER ASSY, "A" SIDE | ALL |
| 43 | 1 | YS-2 | Y-STRAINER ASSY, "R" SIDE | ALL |

15.18 PH(X)-25/PH(X)-40 HOSES

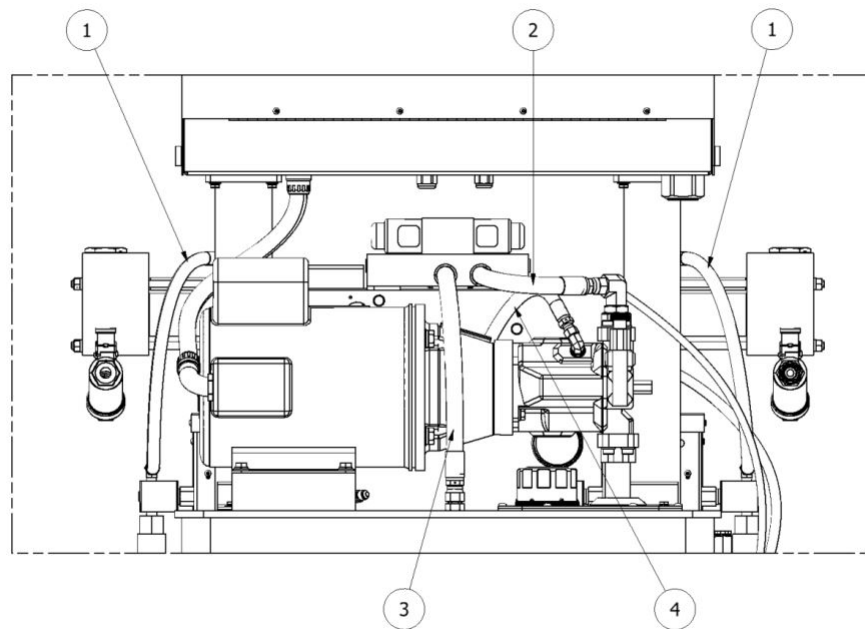


Figure 32: Proportioner Hoses

| PROPORTIONER HOSES | | | |
|---------------------------|------------|--------------------|--------------------------------|
| ITEM | QTY | PART NUMBER | DESCRIPTION |
| 1 | 2 | HI-05047 | HOSE, PUMP TO HEATER |
| 2 | 1 | HI-05014 | HYDRAULIC PUMP OUTPUT HOSE 1/2 |
| 3 | 1 | HI-05013 | HYDRAULIC PUMP RETURN HOSE 1/2 |
| 4 | 1 | HI-05047-1 | HYDRAULIC PUMP DRAIN HOSE |

15.18.1 HALF INCH HOSE KIT

| HALF INCH HOSE KIT (200212) | | |
|------------------------------------|--------------------|------------------------------|
| QTY | PART NUMBER | DESCRIPTION |
| 1 | RA-00010 | ISO MALE MANIFOLD FITTING |
| 1 | RA-00011 | POLY MALE MANIFOLD FITTING |
| 1 | RA-00019 | JIC REDUCER 7/8-14 X 9/16-18 |
| 1 | RA-00020 | JIC REDUCER 3/4-16 X 1/2-20 |

15.19 LUBE BOTTLE COMPONENTS

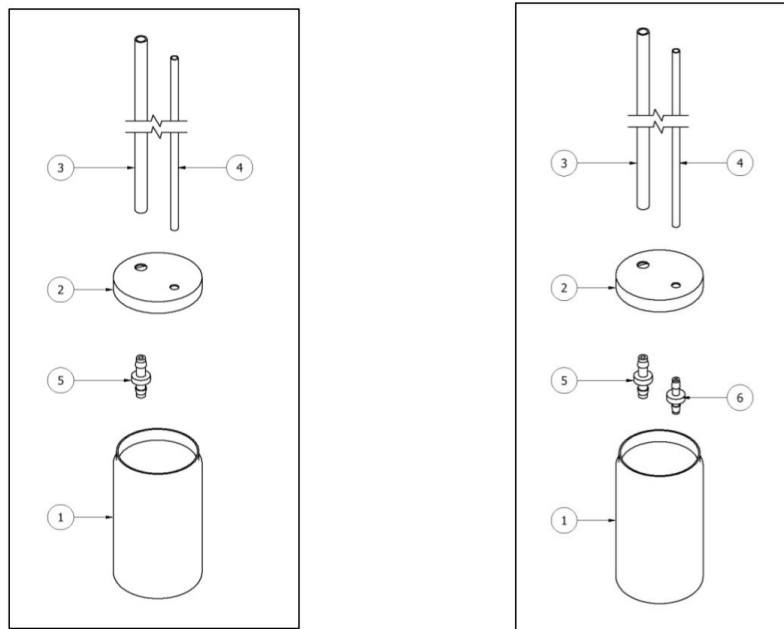


Figure 33: Lube Bottle Assembly

| LUBE BOTTLE ASSEMBLY | | | |
|-----------------------------|------------|--------------------|----------------------------------|
| ITEM | QTY | PART NUMBER | DESCRIPTION |
| 1 | 1 | MQ-01009-01A | LUBE BOTTLE |
| 2 | 1 | MQ-01009-02A | LUBE BOTTLE LID |
| 3 | 1 | MA-00024A | 1/2" X 3' PLASTIC TUBING, SUPPLY |
| 4 | 1 | MA-00025A | 3/8" X 3' PLASTIC TUBING, RETURN |
| 5 | 1 | RA-00068A | CHECK VALVE (PH-25/PH-40) |
| 6 | 1 | RA-06008 | CHECK VALVE (PHX-25/PHX-40) |
| - | 1 | GP-00960-1-GAL | PUMP LUBE GALLON |
| - | 1 | GP-00960-1-QRT | PUMP LUBE QUART |

| LUBE RESERVOIR KIT (KT-05004) | | |
|--------------------------------------|--------------------|----------------------------------|
| QTY | PART NUMBER | DESCRIPTION |
| 1 | RA-00068A | CHECK VALVE |
| 1 | TN-04196 | HOSE CLAMP |
| 1 | MQ-01009-01A | LUBE BOTTLE |
| 1 | MQ-01009-02A | LUBE BOTTLE LID |
| 1 | MA-00024A | 1/2 X 3' PLASTIC TUBING, SUPPLY |
| 1 | MA-00025A | 3/8" X 3' PLASTIC TUBING, RETURN |