

AP-2 SPRAY AND POUR GUN

See Gun Manual for operation, maintenance, and a complete list of parts and kits.



**POLYURETHANE
MACHINERY
CORPORATION**

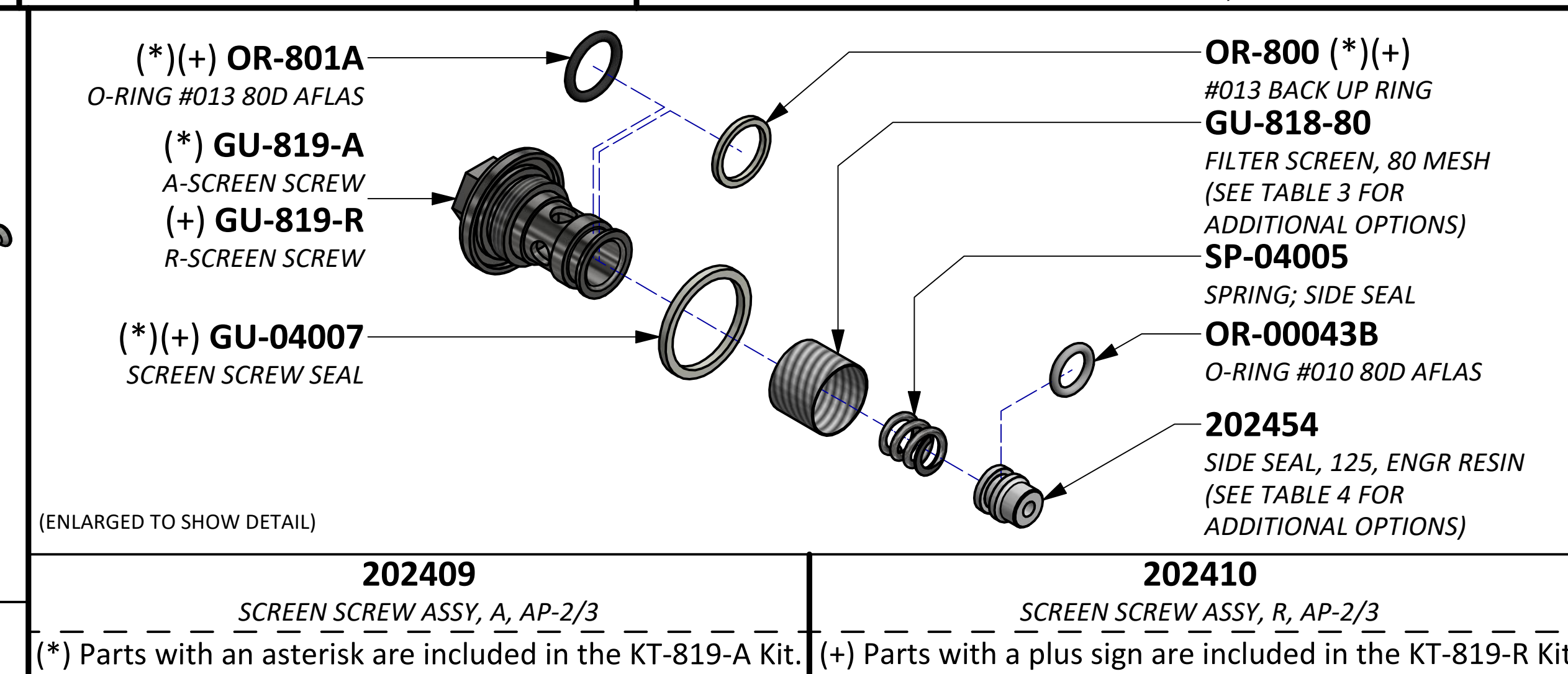
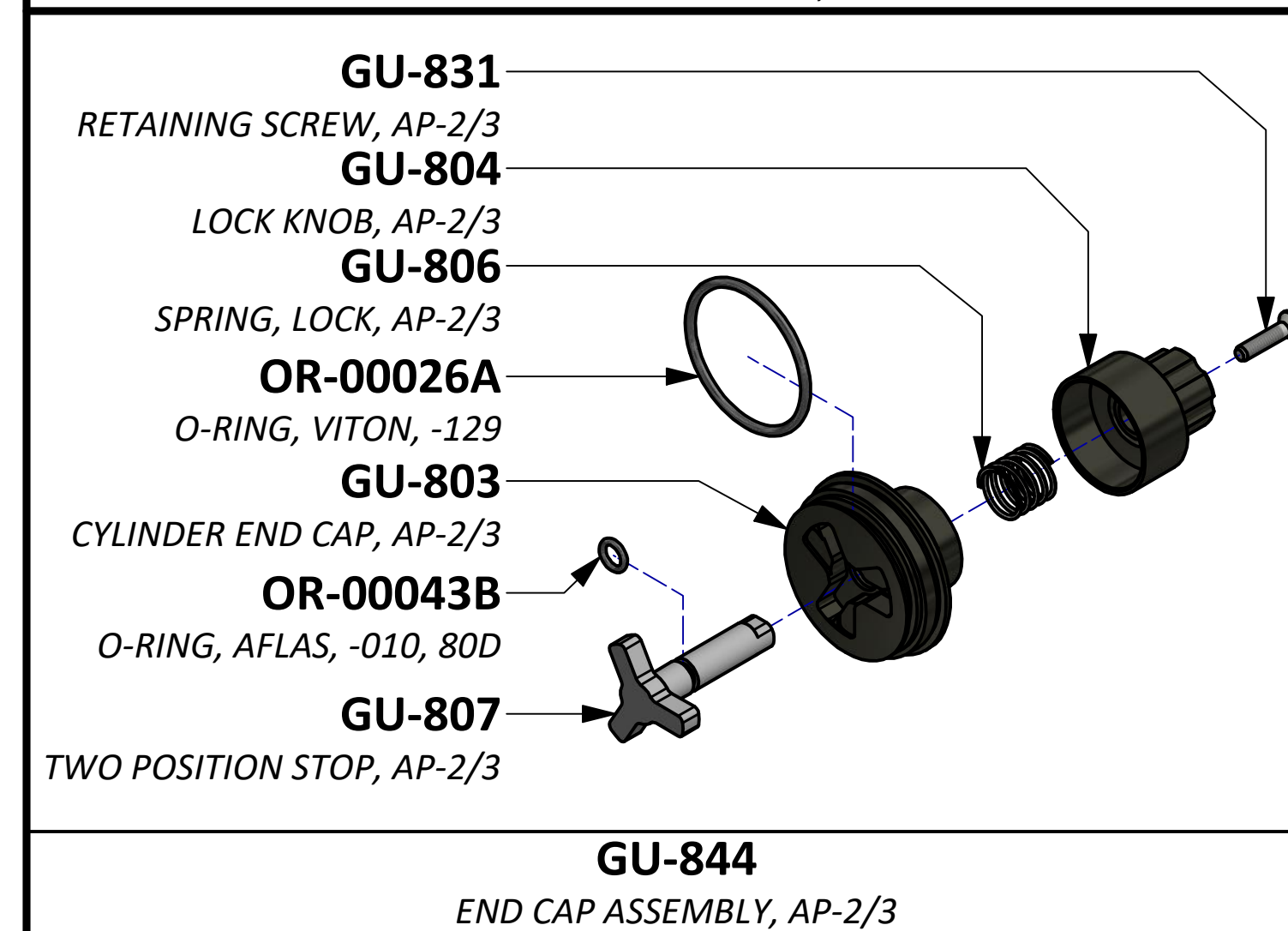
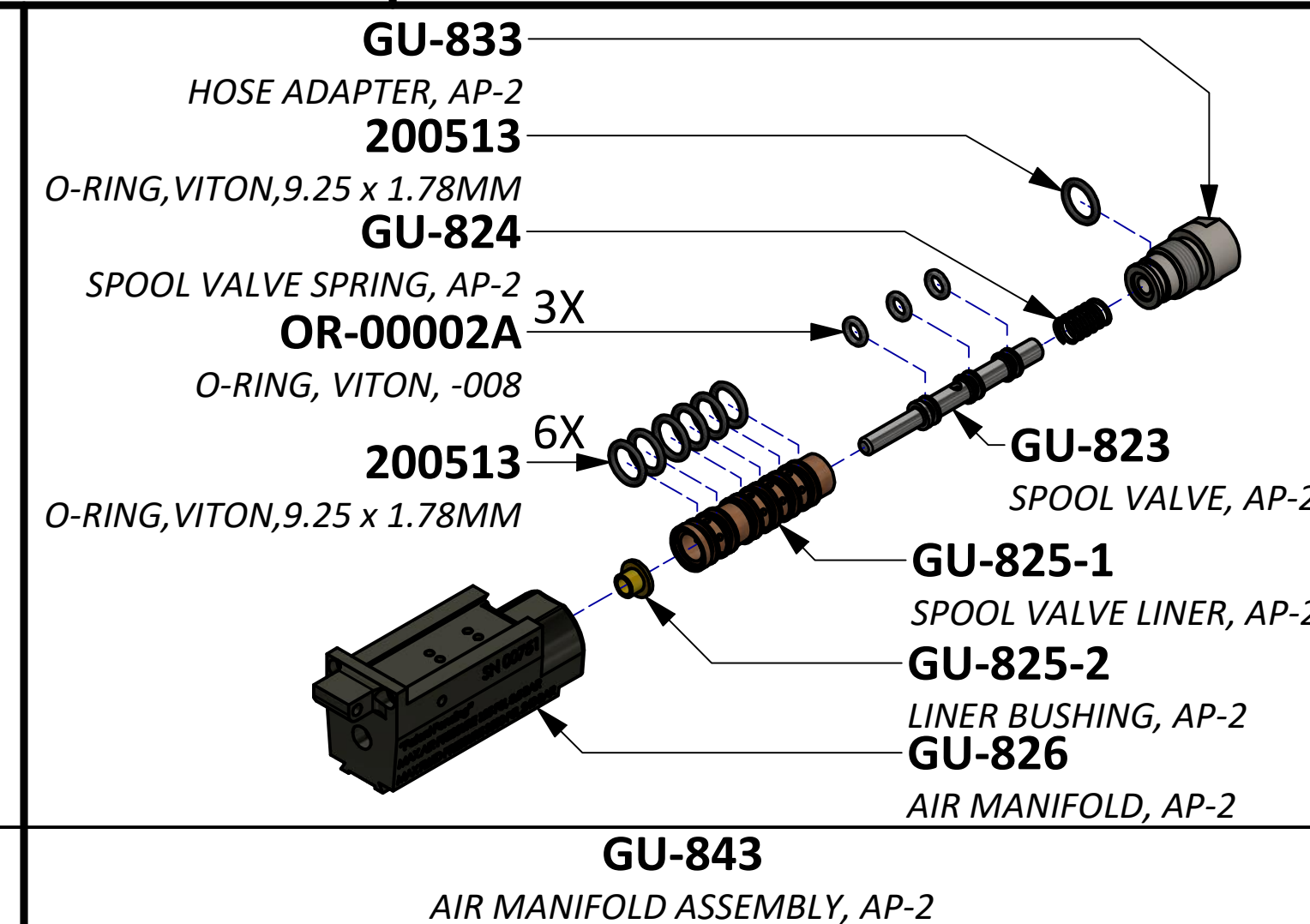
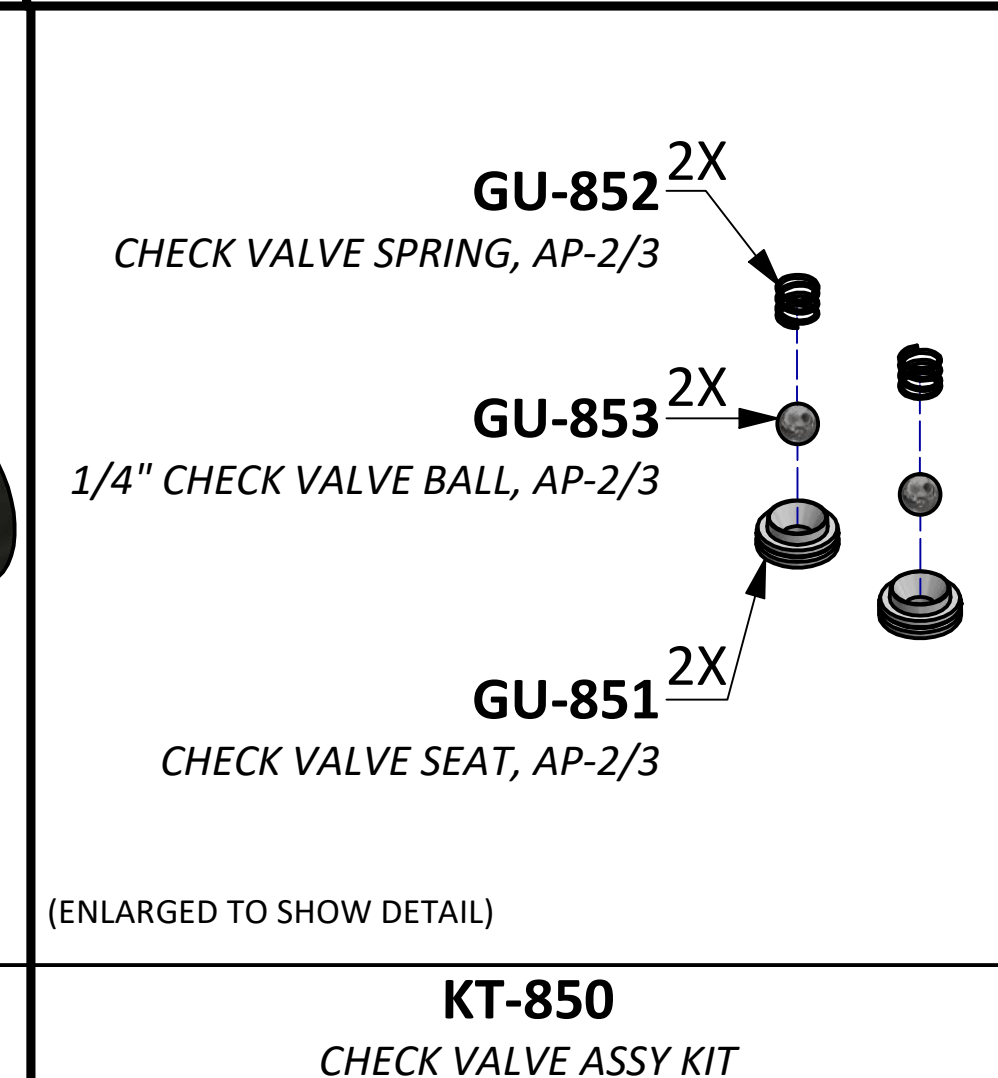
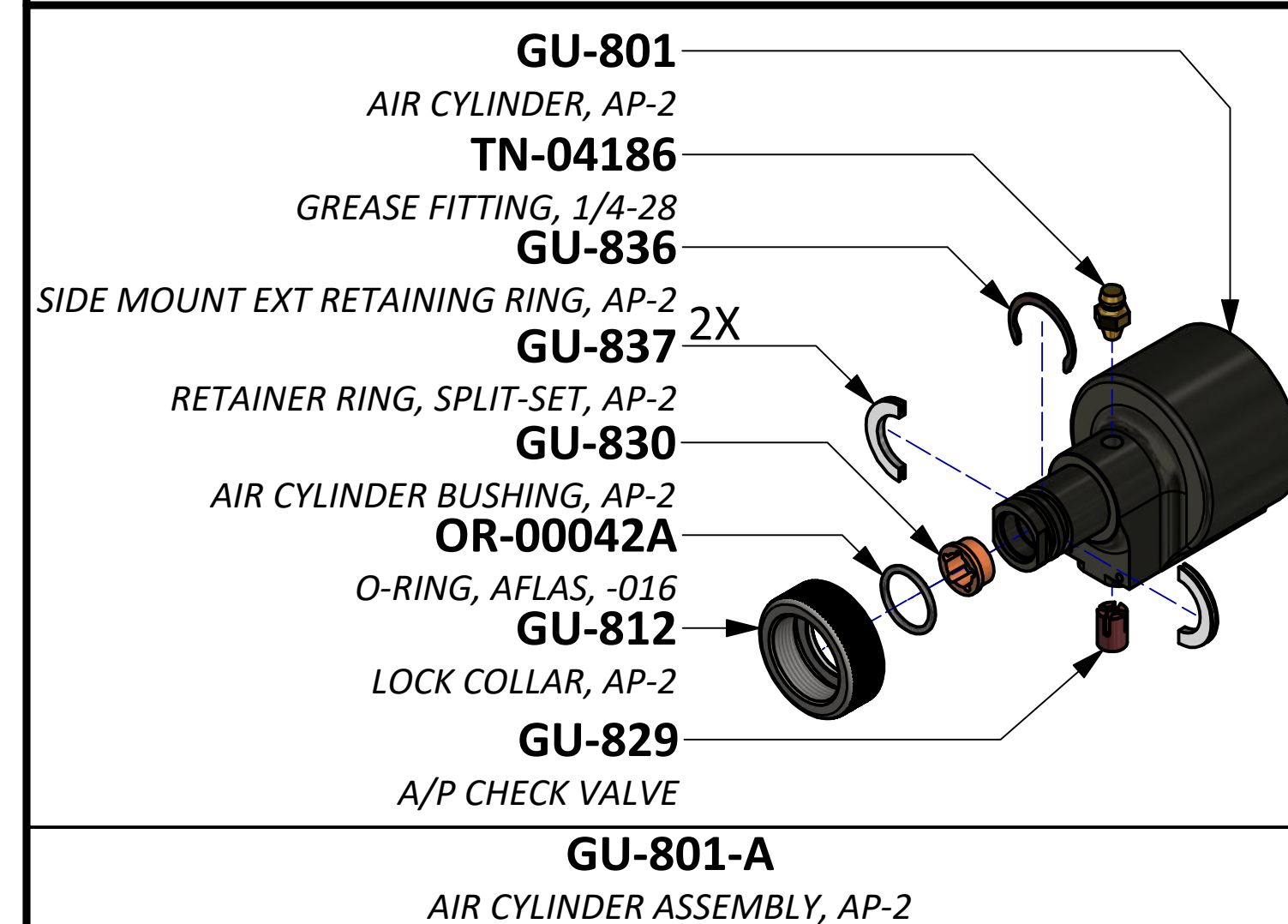
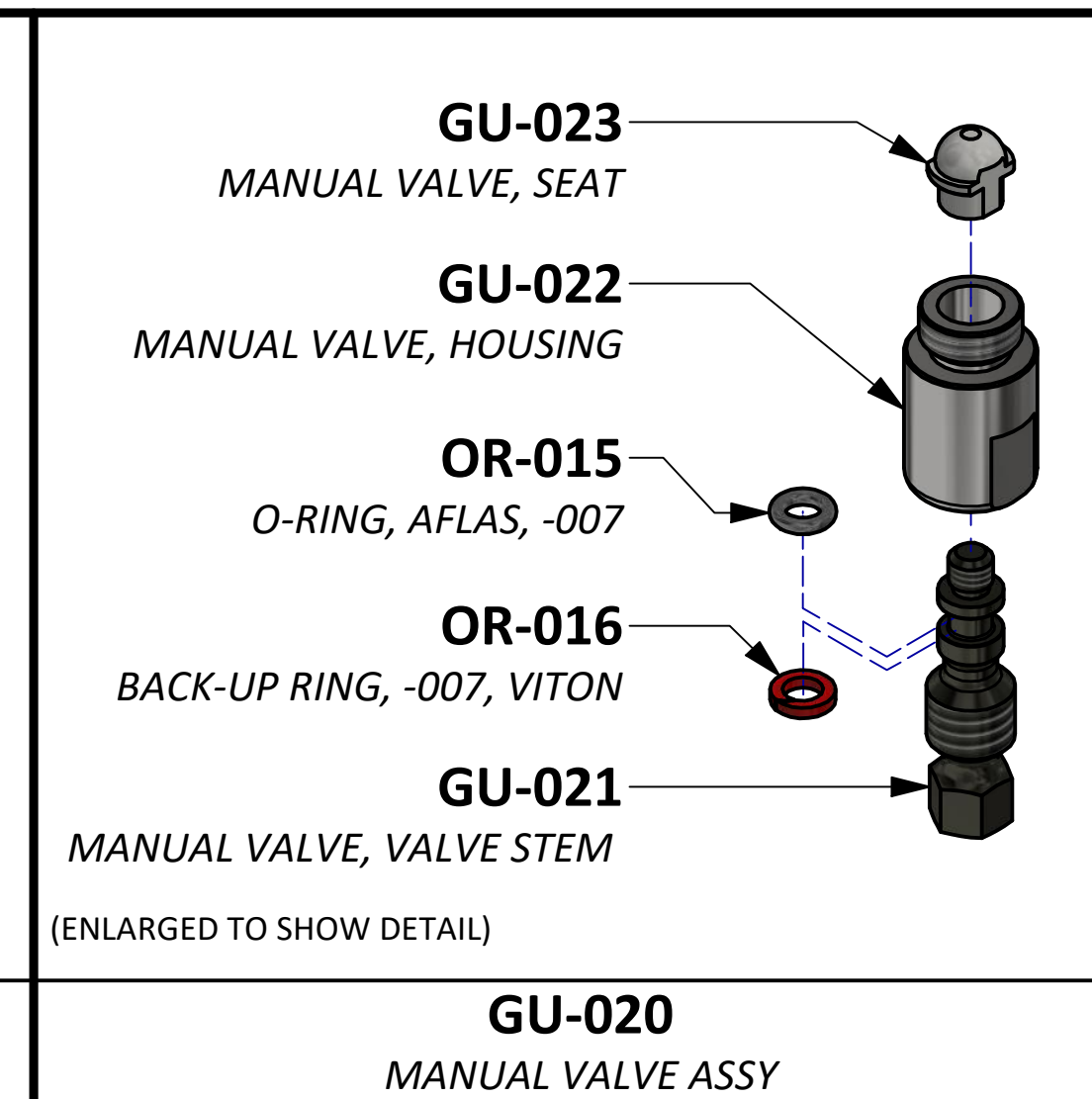
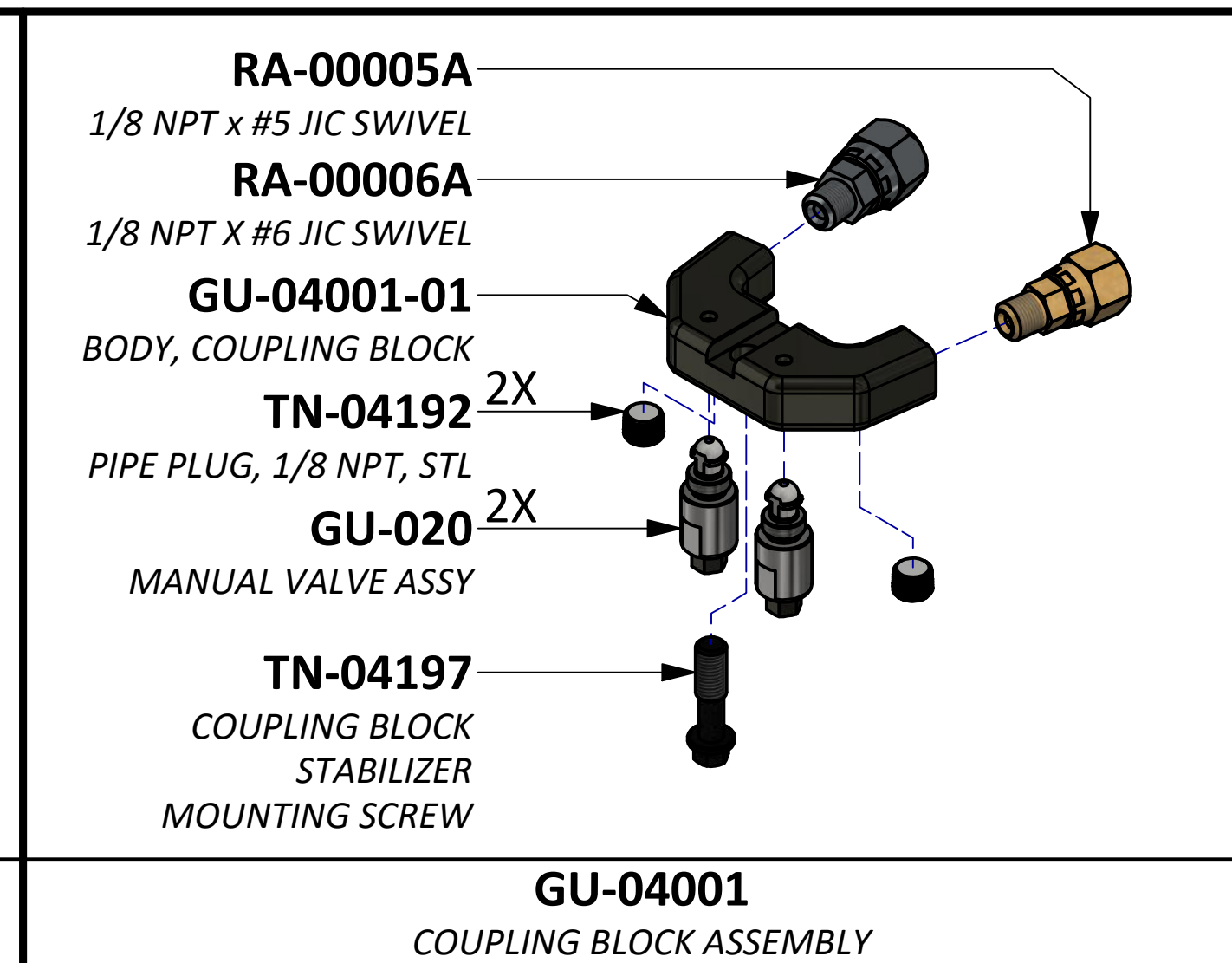
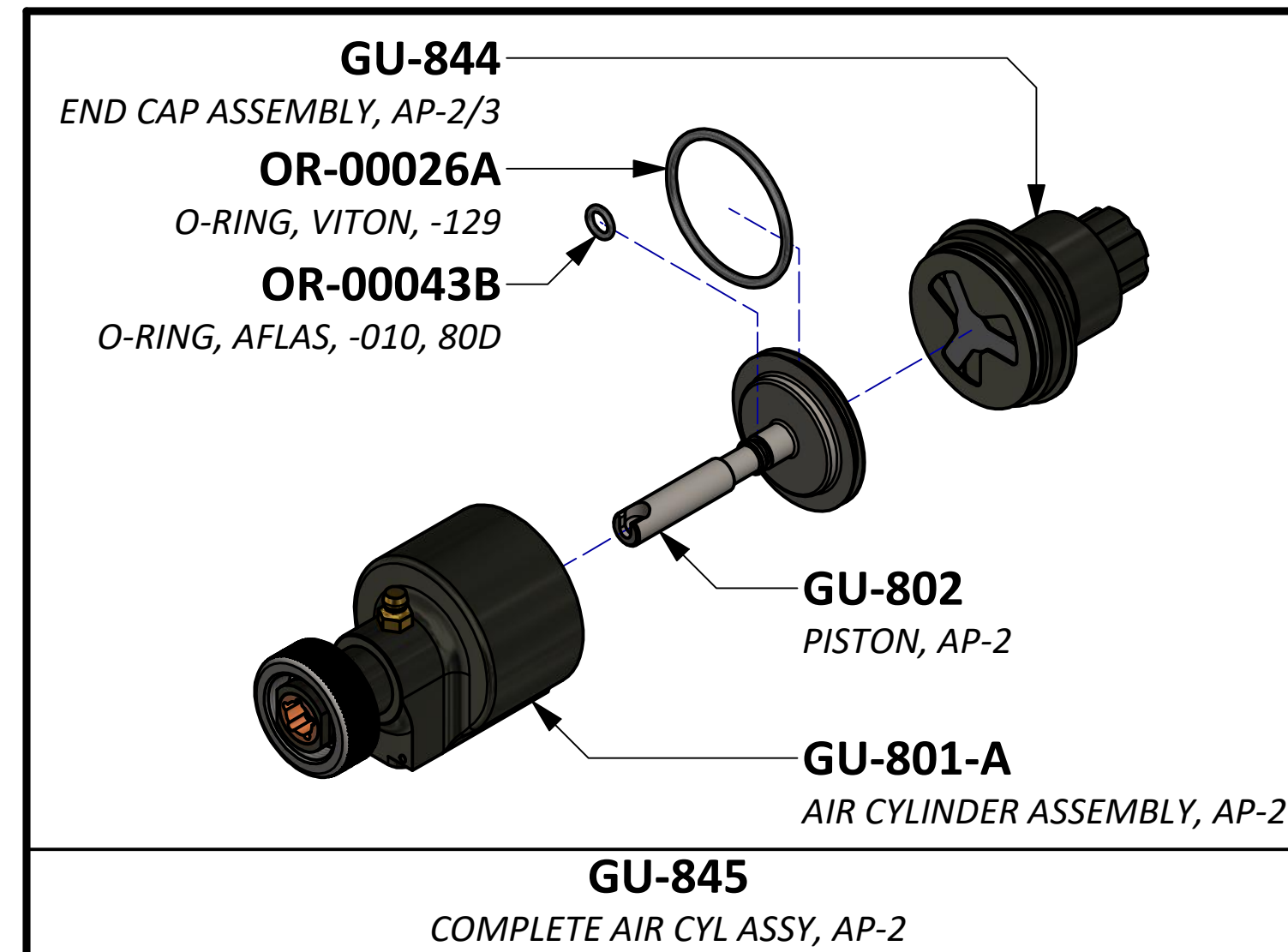
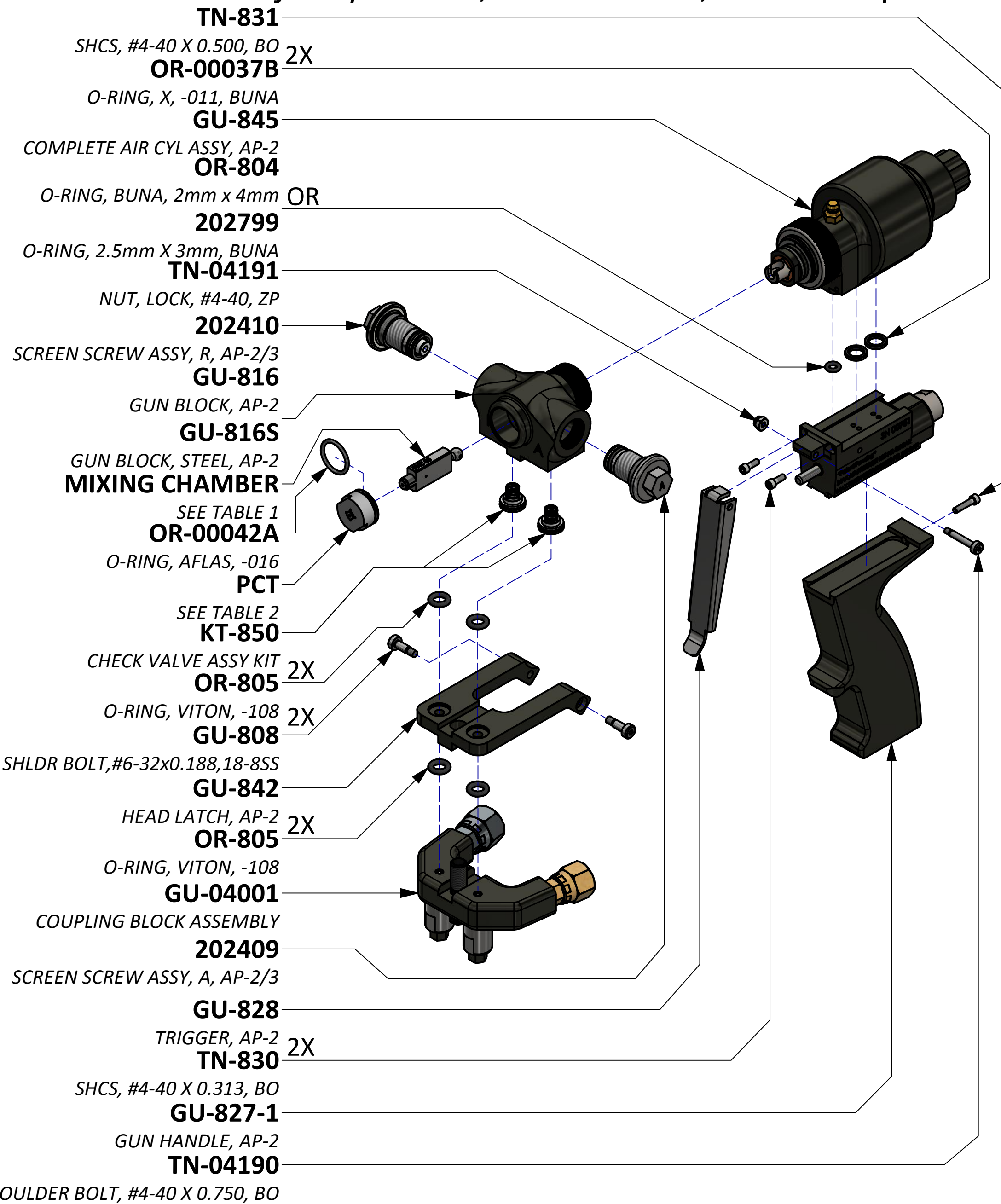


TABLE 1: MIXING CHAMBER KITS

PART NUMBER	DESCRIPTION
GU-814-DP-000	CHAMBER, 000 W/ DRILLS, DP
GU-814-DP-00	CHAMBER, 00 W/ DRILLS, DP
GU-814-DP-00X	CHAMBER, 00X W/ DRILLS, DP
GU-814-DP-01	CHAMBER, 01 W/ DRILLS, DP
GU-814-DP-01X	CHAMBER, 01X W/ DRILLS, DP
GU-814-DP-02	CHAMBER, 02 W/ DRILLS, DP
GU-814-DP-02X	CHAMBER, 02X W/ DRILLS, DP
GU-814-DP-03	CHAMBER, 03 W/ DRILLS, DP
GU-814-DP-04	CHAMBER, 04 W/ DRILLS, DP
GU-814-DP-05	CHAMBER, 05 W/ DRILLS, DP

TABLE 2: PATTERN CONTROL TIP (PCT) KITS

PART NUMBER	DESCRIPTION
GU-815-000	PCT, 000 W/ DRILLS
GU-815-00	PCT, 00 W/ DRILLS
GU-815-00X	PCT, 00X W/ DRILLS
GU-815-01	PCT, 01 W/ DRILLS
GU-815-01X	PCT, 01X W/ DRILLS
GU-815-02	PCT, 02 W/ DRILLS
GU-815-02X	PCT, 02X W/ DRILLS
GU-815-03	PCT, 03 W/ DRILLS
GU-815-04	PCT, 04 W/ DRILLS
200919	PCT, 05 W/ DRILLS

TABLE 3: FILTER SCREEN OPTIONS

PART NUMBER	DESCRIPTION
GU-818-40	FILTER SCREEN, 40 MESH
GU-818-60	FILTER SCREEN, 60 MESH
GU-818-80 (‡)	FILTER SCREEN, 80 MESH

TABLE 4: SIDE SEAL OPTIONS

PART NUMBER	DESCRIPTION
202247	SIDE SEAL, 125, STEEL
202248	SIDE SEAL, 125, DELRIN
202454 (‡)	SIDE SEAL, 125, ENGR RESIN

(‡) Factory standard. Other options must be purchased separately.